

उन्तारी रोड (URD)

MACLS, "B" CLASS, STD-III WITH MACL
DOC-02.12.09



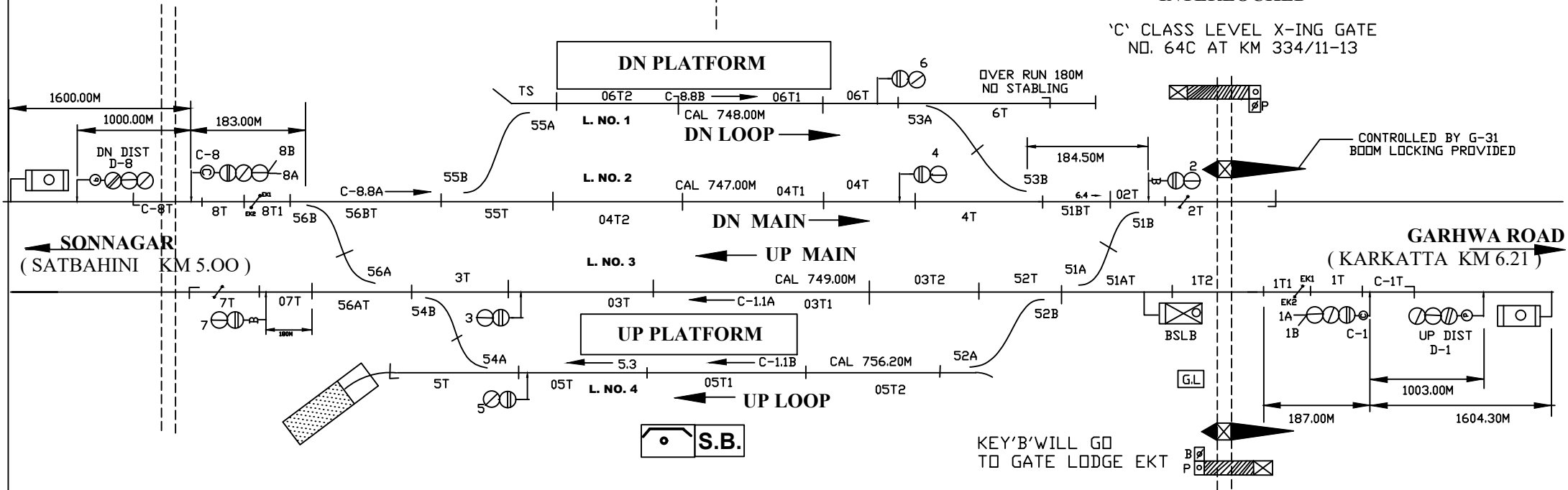
TO SUIT SWRD NO.-8-2008/DSTE/DDU
CENTRAL PANEL

OF STN. BLD
KM.635.46 FROM HWH(VIA GOMDH)
ATKM 335.31 FROM GOMDH

'C' CLASS LEVEL X-ING GATE
NO. 63C AT KM 335/36-37
(MANNED)

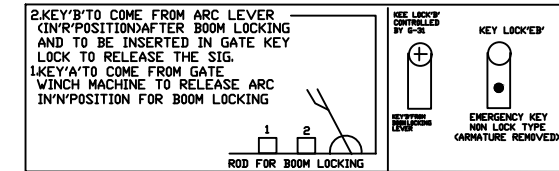
INTERLOCKED

'C' CLASS LEVEL X-ING GATE
NO. 64C AT KM 334/11-13



KEY 'B' WILL GO
TO GATE LODGE EKT

AT GATE LODGE



NOTE :-

1. MAGNETO TELEPHONE CNNECTED WITH SM'S OFFICE & L-XING GATE No. 63/CE & 64/CT.

TO SUIT SIP.NO. ECR/SIP/DDU/139-2008

E C R		
	SSE/DRG	DSTE/DDU

**UNTARI ROAD
DDU. DIV.**

DRG. No. SG/DDU/
SK/2020
SH. No. 49