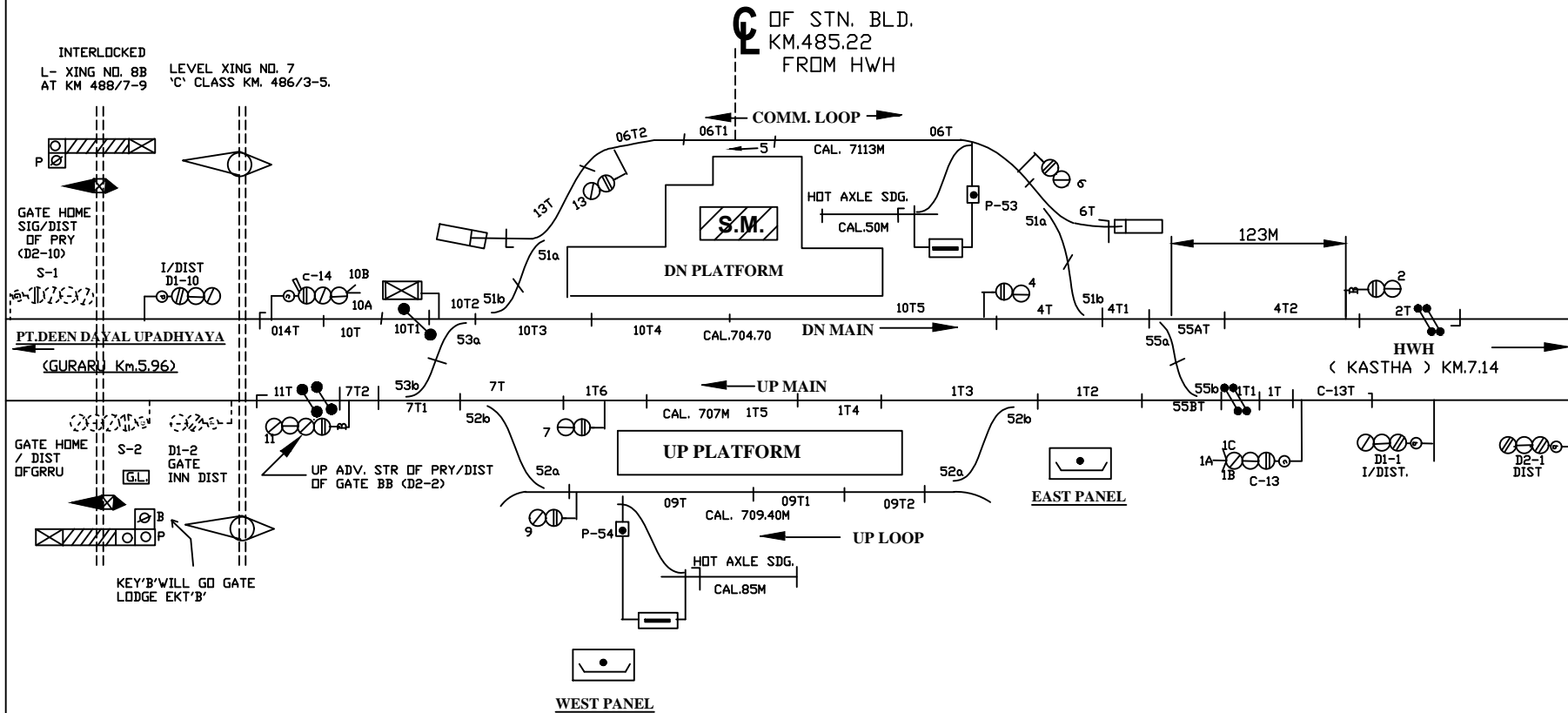


परैया (PRY)

MACLS, "B" CLASS, STD-III
DOC:-23.03.01



TO SUIT SIG. PLAN. NO. ECR/SIP/DDU/029/2010

NOTE :-

1. MAGNETO TELEPHONE CONNECTED WITH SM'S OFFICE E.E.P & W.E.P.
2. MAGNETO TELEPHONE CONNECTED WITH W.E.P. L-XING GATE No. 7/CE,8/BE & SM.

ECR			PARAIYA DDU. DIV.	DRG. No. SG/DDU/ SK/2020 SH. No. 34
	SSE/DRG	DSTE/DDU		