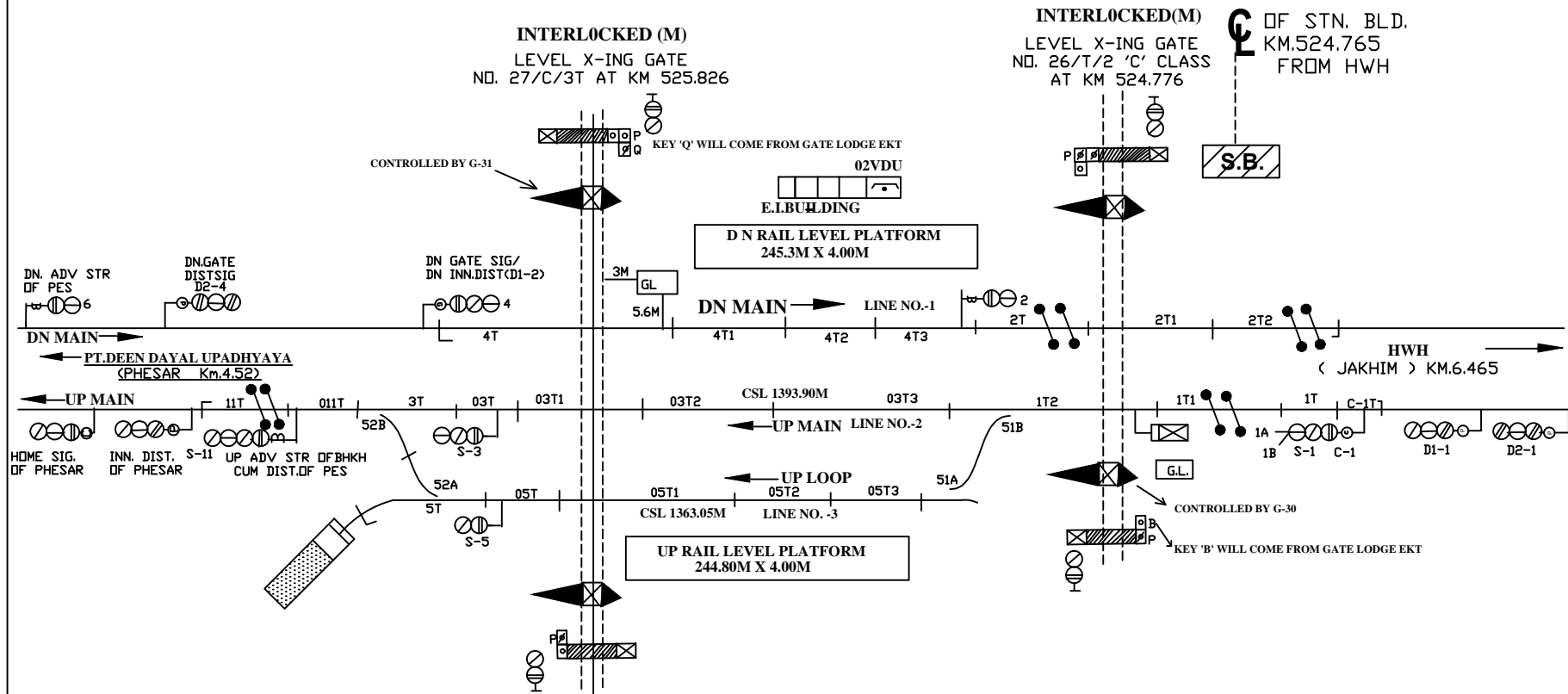




बगोहीकुशा (BHKH)

MACLS, "SPL" CLASS, STD-III
DOC:-07.08.20



NOTE :-

- MAGNETO TELEPHONE CONNECTED WITH SM'S OFFICE & L-XING GATE No. 24/CE, 26/CT & 27/CT.

TO SUIT SIP. NO. ECR/SIP/DDU/023-2014 ALT-III

E C R			BAGHOIKUSA DDU. DIV.	ELECTRONIC INTERLOCKING MACLS, CLASS SPL STD-III (R)	DRG. No. SG/DDU/ SK/2020
	SSE/ D&D	DSTE/ DDU			SH. No. 28