

# CHESTAR (CTQ)

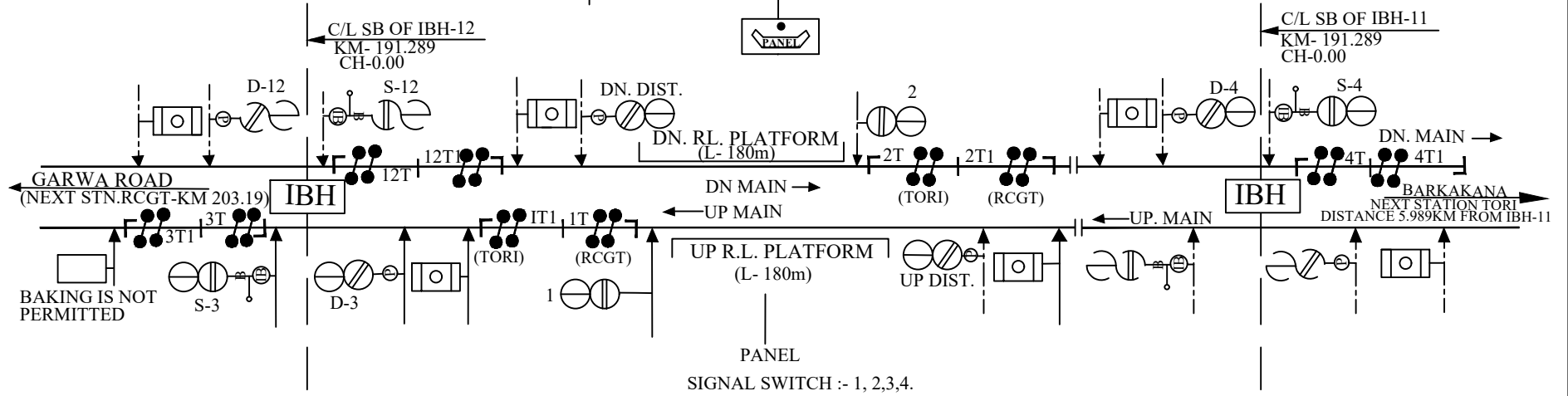
PANEL MACLS, 'C'-CLASS, STD-III

C/L OF STATION BUILDING  
(Km. 194.87 FROM GMO.)



C/L SB OF IBH-12  
KM- 191.289  
CH-0.00

C/L SB OF IBH-11  
KM- 191.289  
CH-0.00



GARWA ROAD  
(NEXT STN.RCGT-KM 203.19)

IBH

DN. RL. PLATFORM  
(L- 180m)

IBH

UP. RL. PLATFORM  
(L- 180m)

BARKAKANA  
NEXT STATION TORI  
DISTANCE 5.989KM FROM IBH-11

BAKING IS NOT PERMITTED

PANEL  
SIGNAL SWITCH :- 1, 2,3,4.