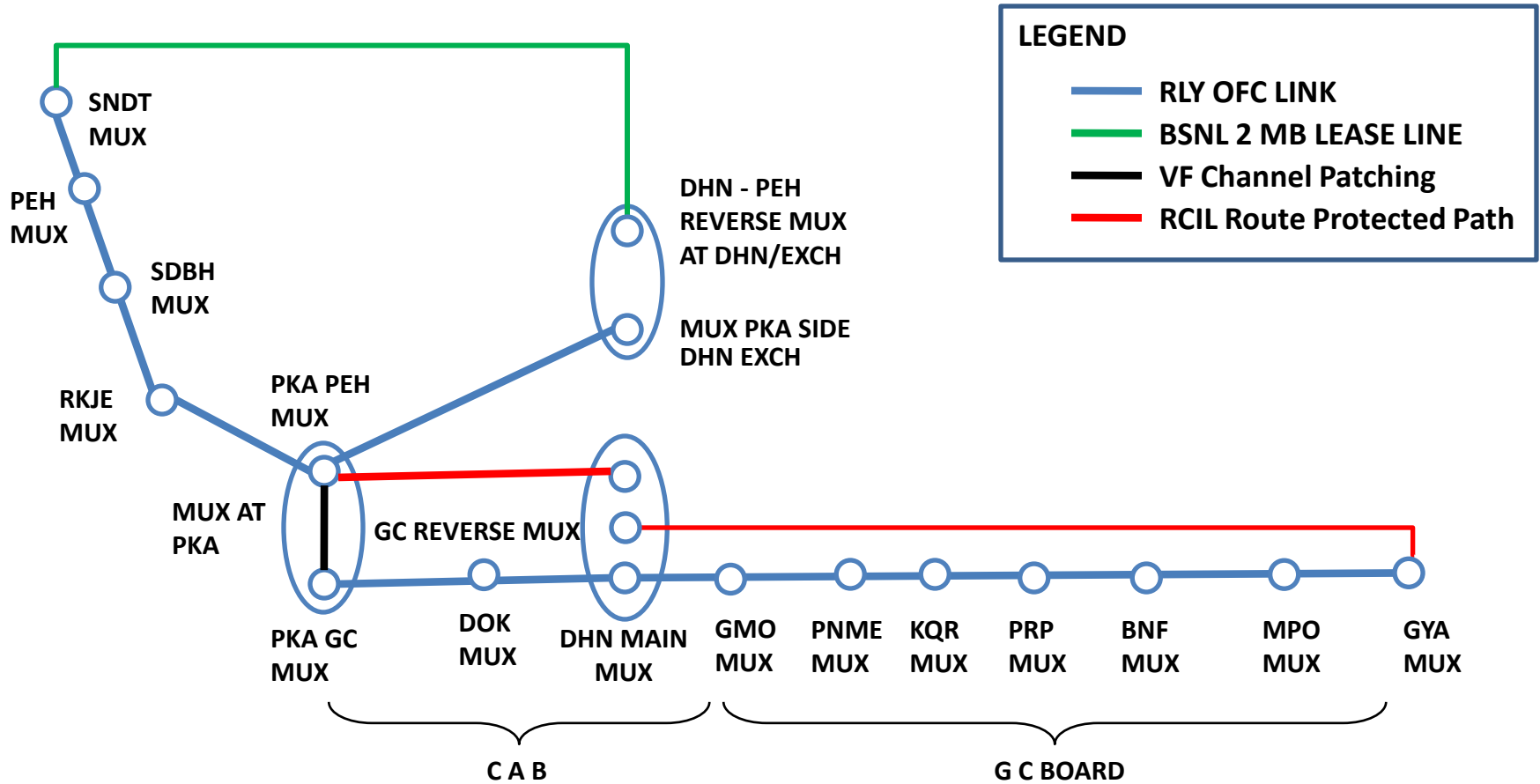


CONTROL WORKING WITH PROTECTION AT DHANBAD

DHN TO BNF (GC BOARD) & DHN – PKA – PEH – SNTD (Coal Area Board)

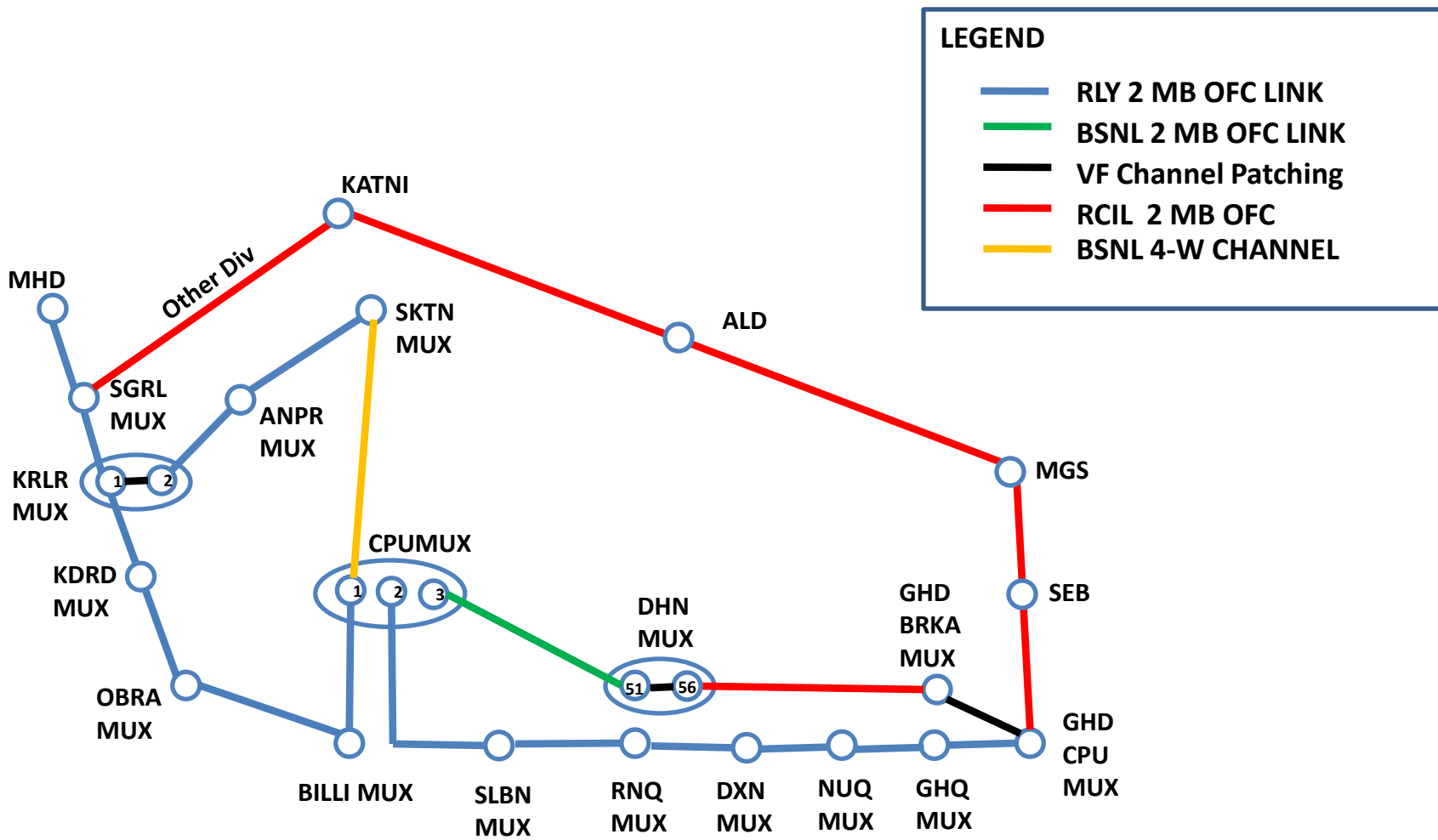


SHORThAUL COMMUNICATION

CONTROL WORKING WITH PROTECTION AT CHOPAN

UPPER BOARD (GHD – BXLL – CPU) &

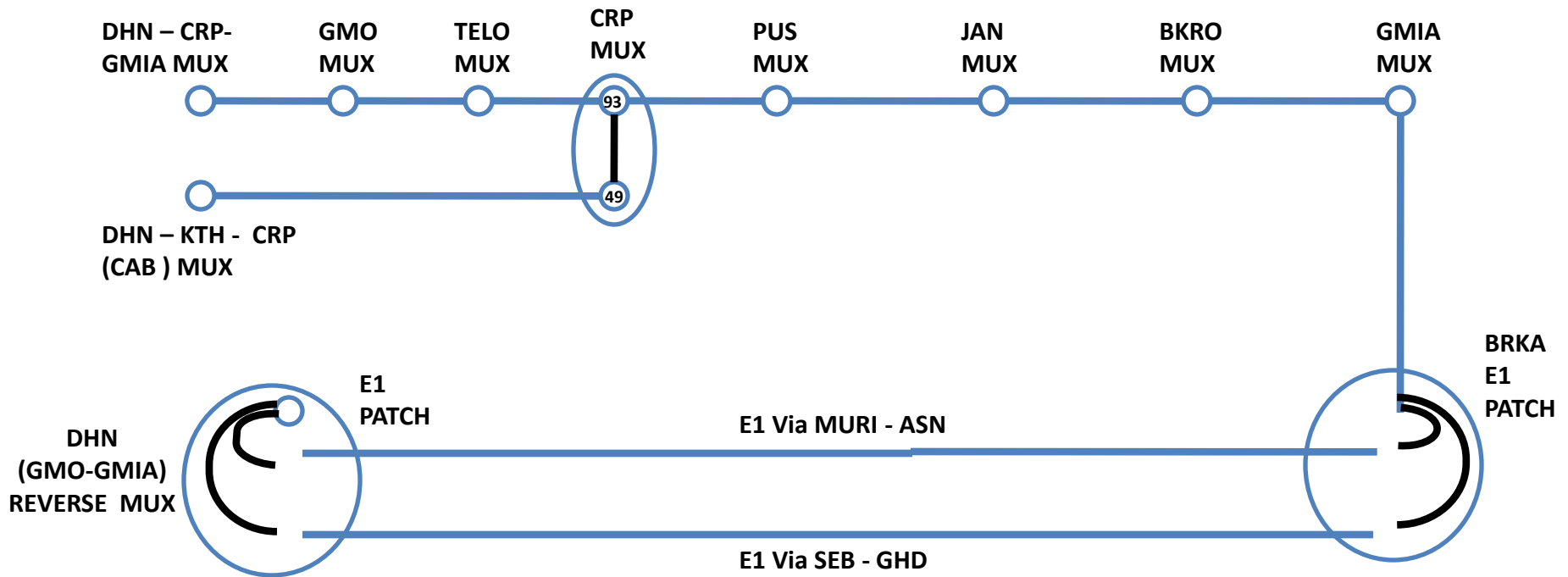
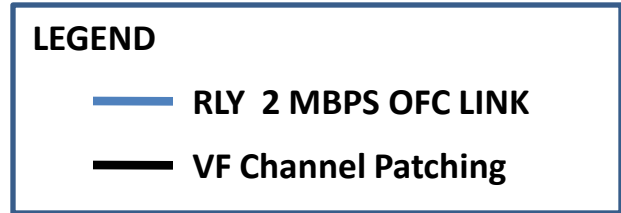
LOWER BOARD (CPU – SGRL – MHDA, SKTN)



SHORTHAUL COMMUNICATION

CONTROL WORKING WITH PROTECTION AT DHANBAD

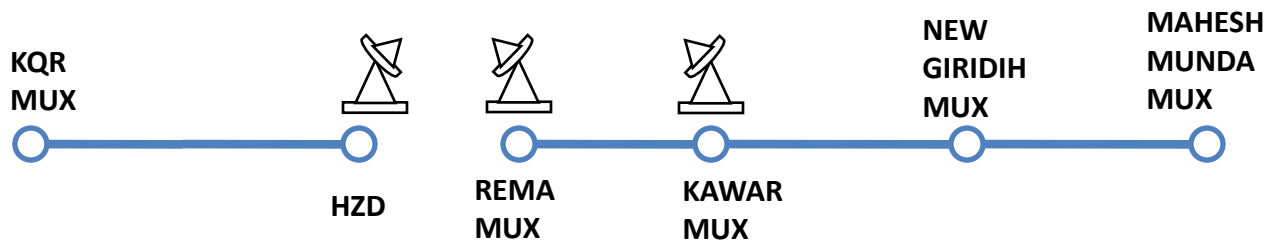
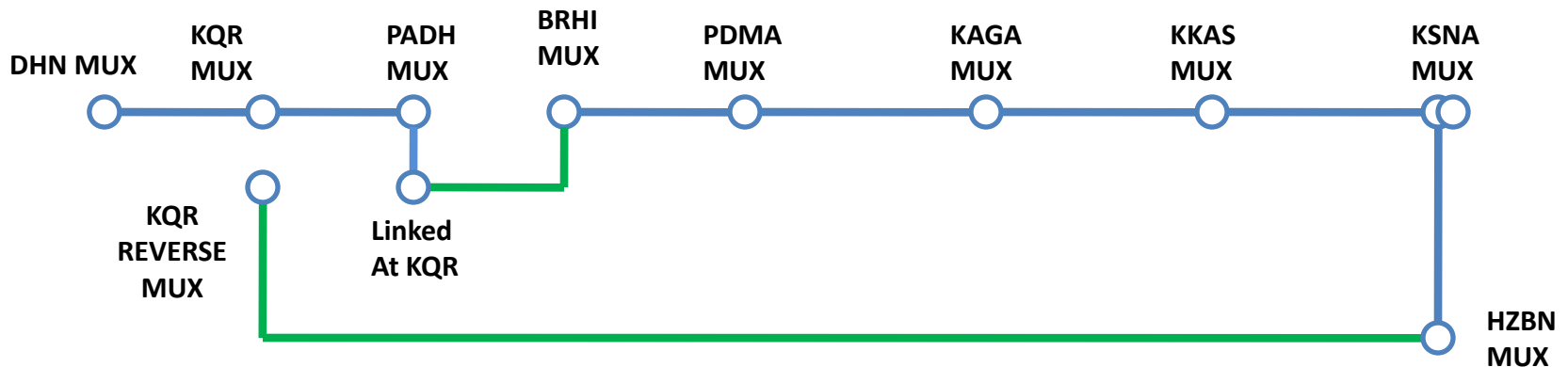
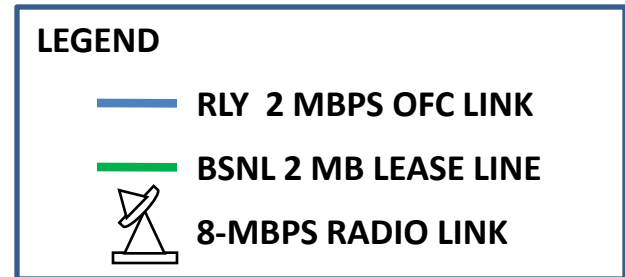
CIC BOARD (GMO – CRP – GMIA)



SHORThAUL COMMUNICATION

CONTROL WORKING WITH PROTECTION AT DHANBAD

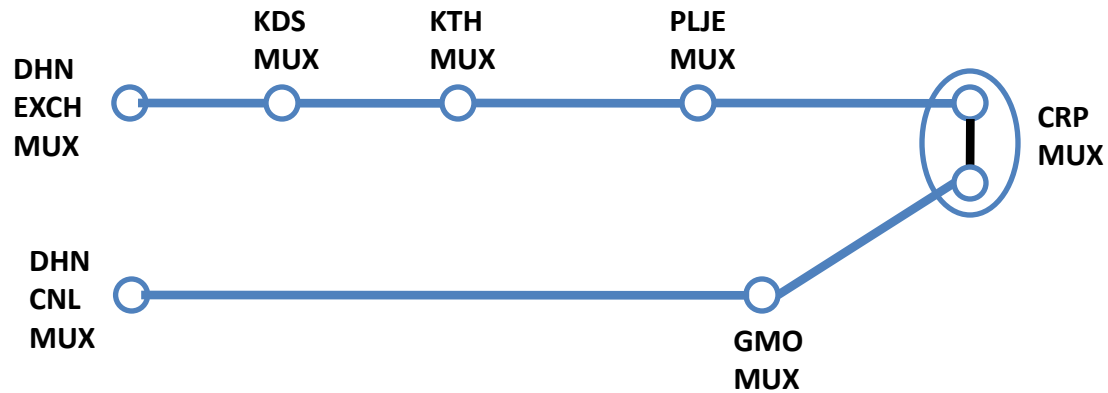
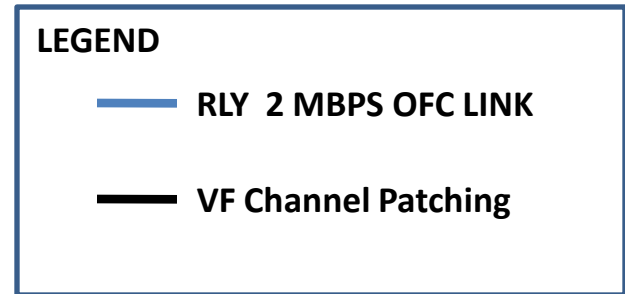
CIC BOARD (KQR – HZBN; KQR – NEW GIRIDIH – MAHESHMUNDA)



SHORTHAUL COMMUNICATION

CONTROL WORKING WITH PROTECTION AT DHANBAD

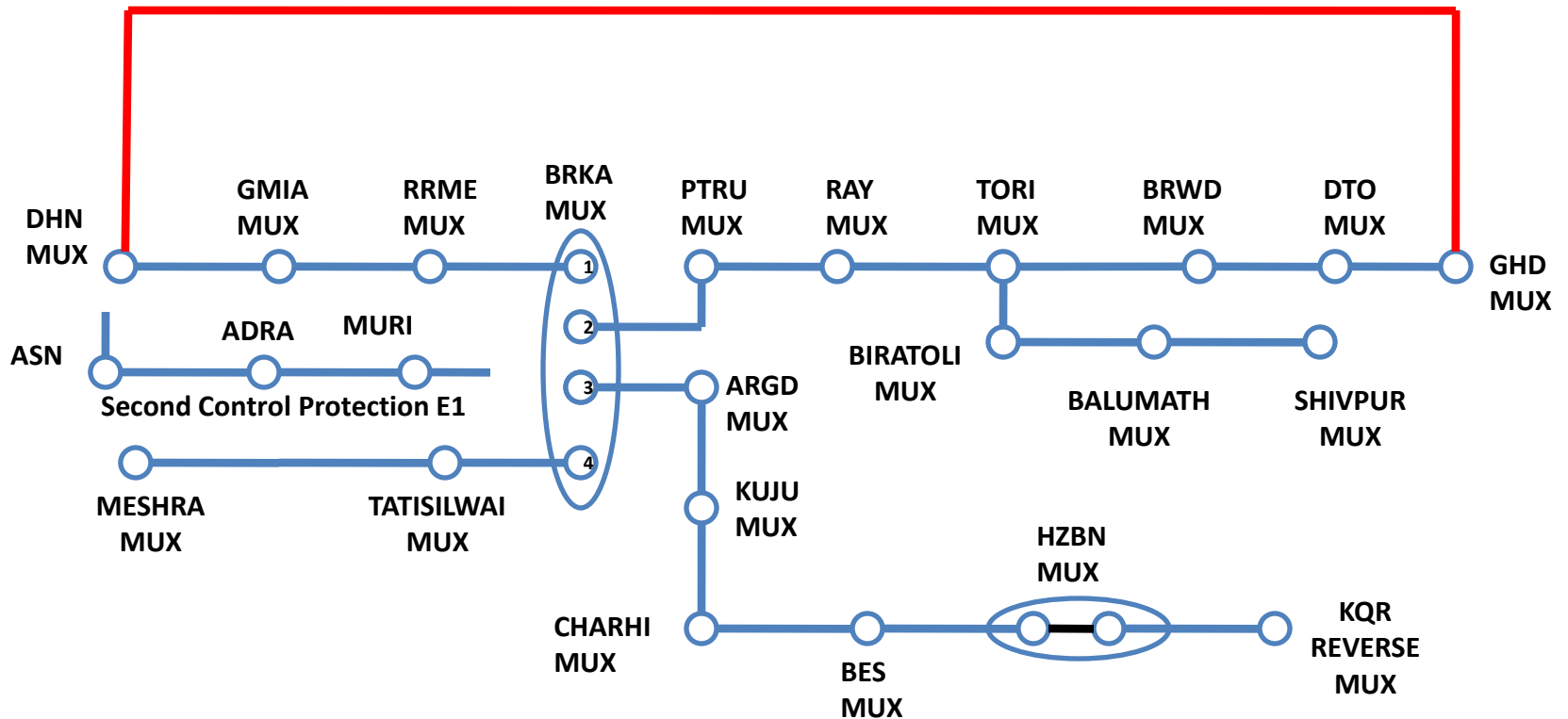
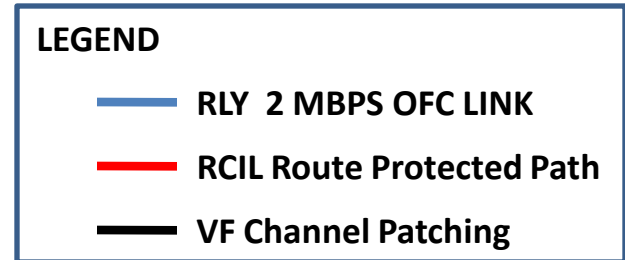
Coal Area Board (DHN – KTH – CRP)



SHORThAUL COMMUNICATION

CONTROL WORKING WITH PROTECTION AT BARKAKANA

UPPER BOARD (RCGT – GHD), COAL BOARD (RCGT – PTRU; TORI - SVOP) &
LOWER BOARD (PTRU – GMIA, ARGD – HZBN, BRKA – TIS – MESHRA)



SHORThAUL COMMUNICATION