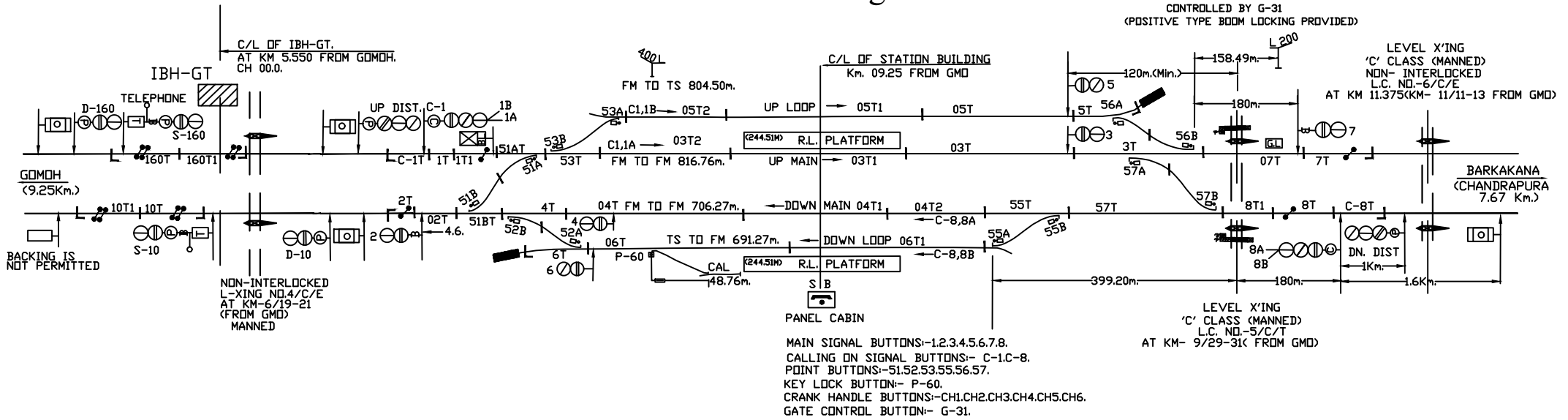
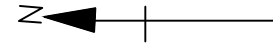


(TELO)

Date of commissioning:-25.04.2006



BACKING IS NOT PERMITTED

NON-INTERLOCKED
L-XING NO.4/C/E
AT KM-6/19-21
(FROM GMD)
MANNED

