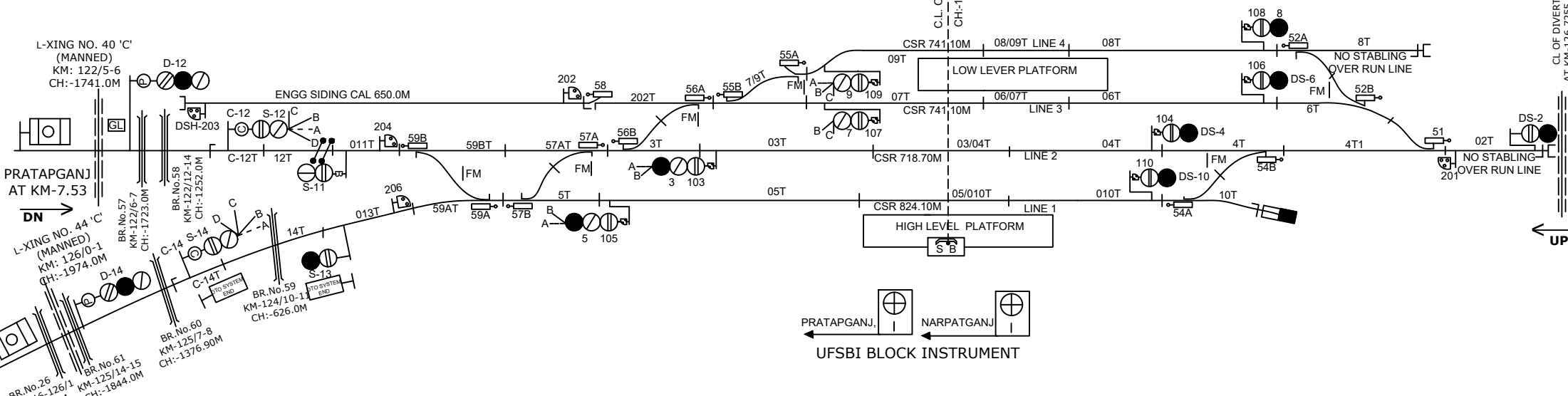


# LALITGRAM TERMINAL

## ललितग्राम टर्मिनल



PRATAPGANJ AT KM-7.53

L-XING NO. 40 'C' (MANNED) KM: 122/5-6 CH:-1741.0M

L-XING NO. 44 'C' (MANNED) KM: 126/0-1 CH:-1974.0M

BR.No.57 KM-122/6-7 CH:-1723.0M

BR.No.58 KM-122/12-14 CH:-1252.0M

BR.No.59 KM-124/10-1 CH:-626.0M

BR.No.60 KM-125/7-8 CH:-1376.90M

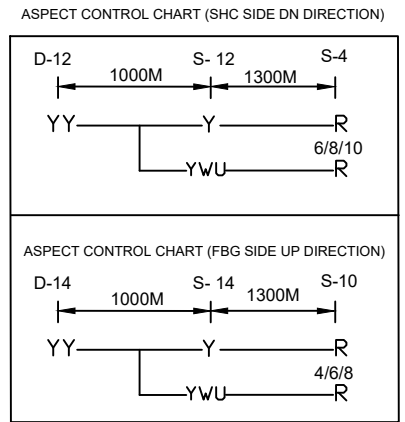
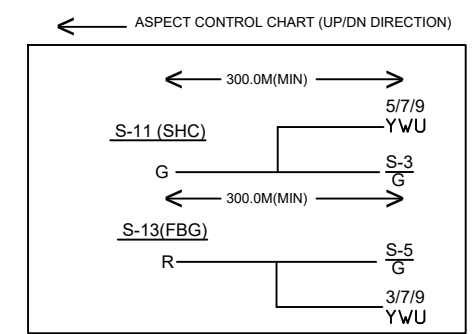
BR.No.61 KM-125/14-15 CH:-1844.0M

BR.No.26 KM-125/16-126/1 CH:-1982.8M

NEXT STN. NARPATGANJ AT KM-11.61

← ONE TRAIN ONLY SYSTEM →

← DN



NOTE:- MEGNETO TELEPHONE PROVIDED AT LC GATE No.40, 44, 46, 49 & 51.

CLASS OF STATION : B  
STD OF SIG & INTERLOCKING: STD-II®

EAST CENTRAL RAILWAY  
SAMASTIPUR DIVISION

(ELECTRIC INTERLOCKING)  
STATION WORKING RULE DIAGRAM  
MACL, STD-II® CLASS 'B'

ललितग्राम  
LALITGRAM

SWRD NO.-  
ECR/SWRD/SPI-LLP/424/2022

Sr.DSTE/SPJ    DATE/SPJ    JE/DRG/SPJ    TO SUIT SIP NO. ECR/SIP/SPJ/424/2018, ALT-III