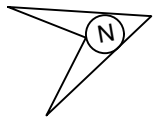


SARAIGARH STATION

सरायगढ स्टेशन



NEXT BLOCK STATION
NIRMALI
(AT KM 0.92) AT (19.029)
KM FROM SRGR

NEXT HALT STN. APKH
AT KM:-13.069 FROM
SRGR

L-XING NO. 77 (M)
CLASS-B2
AT KM: 92/5-6
CH:-1285.0M

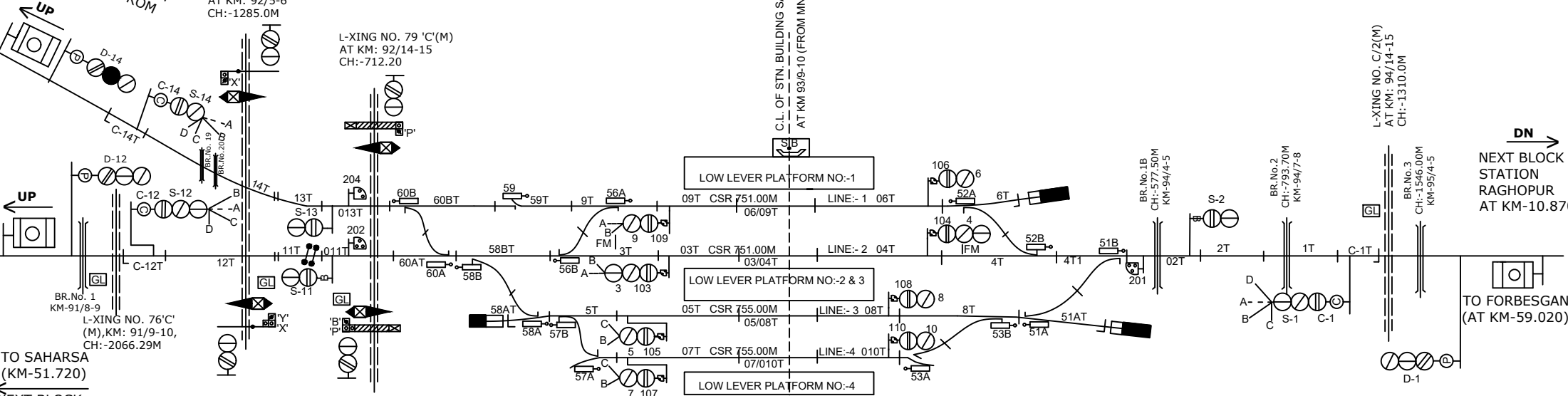
L-XING NO. 79 'C'(M)
AT KM: 92/14-15
CH:-712.20

C.L. OF STN. BUILDING SARAIGARH
AT KM 93/9-10 (FROM MNE)

L-XING NO. C/2(M)
AT KM: 94/14-15
CH:-1310.0M

NEXT BLOCK STATION
RAGHOPUR
AT KM-10.870

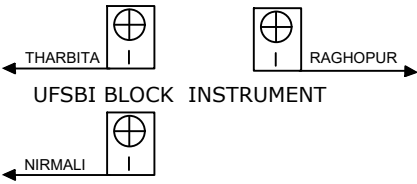
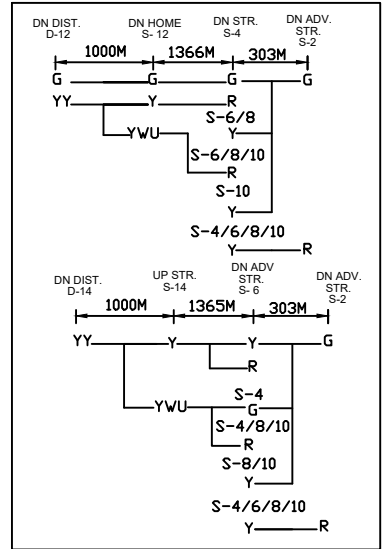
TO FORBESGANJ
(AT KM-59.020)



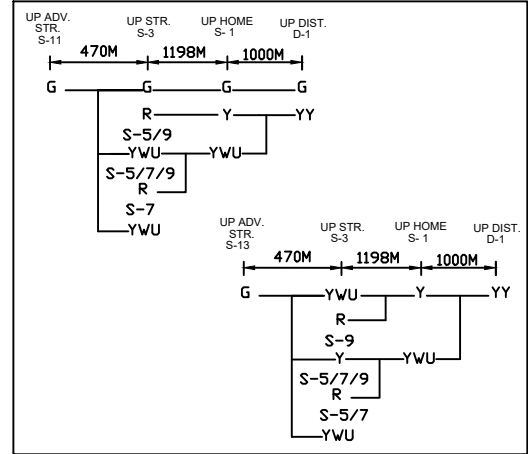
TO SAHARSA
(KM-51.720)

NEXT BLOCK STN. THARBITIA
(AT KM-11.720)

DN ASPECT CONTROL CHART



UP ASPECT CONTROL CHART



NOTE:-
MEGNETO TELEPHONE PROVIDED AT LC GATE No.79,2,6,8,72,74,76,77 & 4.

CLASS OF STATION : B
STD OF SIG & INTERLOCKING: STD-II®

EAST CENTRAL RAILWAY SAMASTIPUR DIVISION	CENTRAL CONTROL (EI) STATION WORKING RULE DIAGRAM MACL, STD-II®, CLASS 'B'	SARAIGARH	SWRD NO.-
			DY.CSTE/CON/ SPJ/2020(RD)/04
Sr.DSTE/SPJ	ASTE/W/SPJ	SSE/SIG/SPJ	TO SUIT SIP NO. ECR/SIP/SPJ/421/2018. ALT-VI