

चन्दौली मझवार (CDMR) (EI)

MACLS 'B' CLASS, STD-III

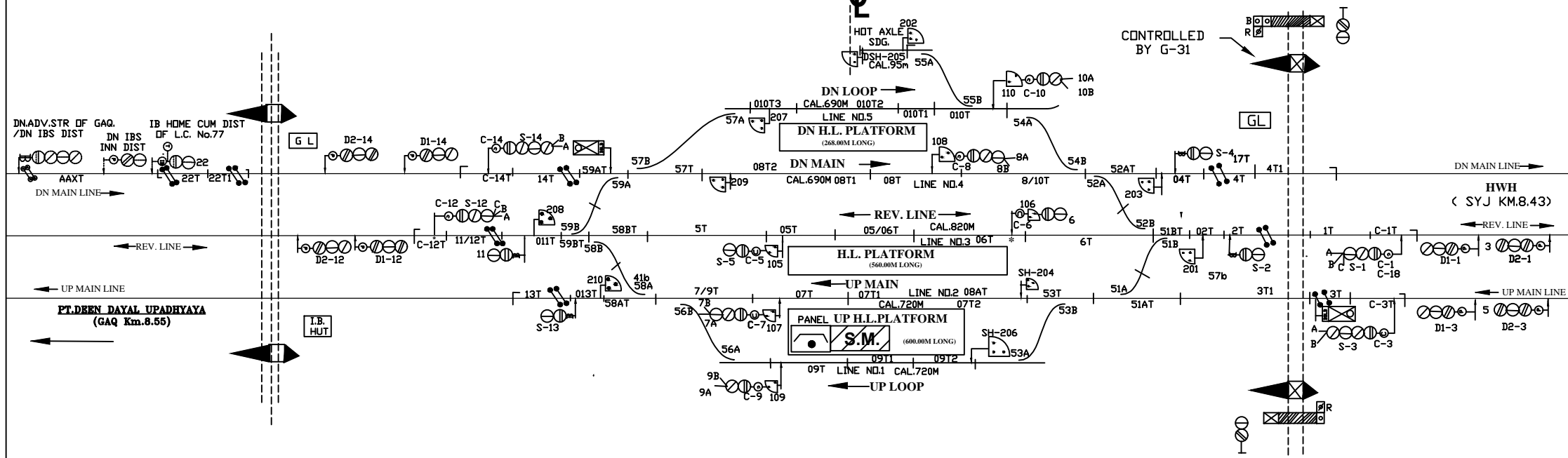
DOC:-27.02.2021



LEVEL X-ING NO. 78'C'
'C' CLASS AT KM 661/19-21

OF STN. BLD.
KM.657.45 FROM HWH.

INTERLOCKED)
LEVEL X-ING
NO. 76'B' AT KM 656/9-11



E			ELECTRONIC INTERLOCKING (MACLS.STD-III R CLASS-B)	CHANDAULI MAJHWAR DDU. DIV.	
C	SSE/ D&D	DSTE/DDU			DRG. No. SG/DDU/ SK/2020
R					SH. No. 4