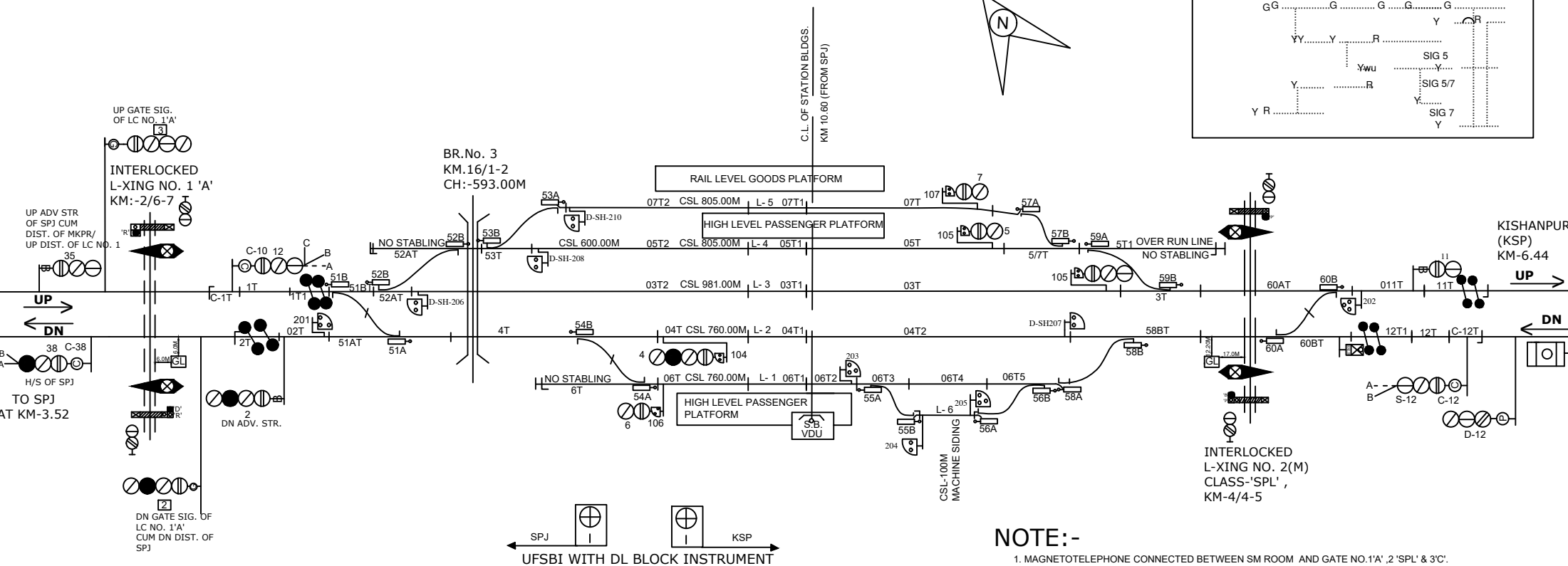
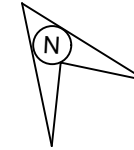
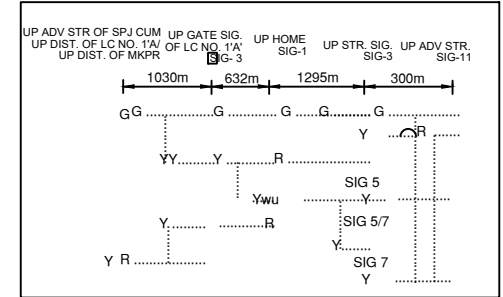


MUKTAPUR STATION

मुक्तापुर स्टेशन

UP ASPECT CONTROL CHART →



KISHANPUR (KSP)
KM-6.44
UP →

UP →
DN ←
H/S OF SPJ
TO SPJ
AT KM-3.52

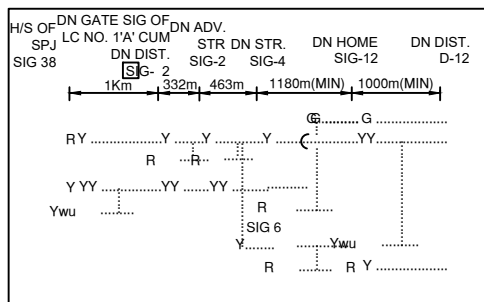
INTERLOCKED
L-XING NO. 2(M)
CLASS-'SPL',
KM-4/4-5

SPJ ⊕ KSP
UFSBI WITH DL BLOCK INSTRUMENT

NOTE:-

1. MAGNETOTELEPHONE CONNECTED BETWEEN SM ROOM AND GATE NO.1'A', 2 'SPL' & 3'C'.
2. THE SIGNALLING INSTALLATION IS SUITABLE FOR 25 KV AC TRACTION.

← DN ASPECT CONTROL CHART



CLASS OF STATION : B
STD OF SIG & INTERLOCKING: STD-II (R)

EAST CENTRAL RAILWAY SAMASTIPUR DIVISION		(E.I) STATION WORKING RULE DIAGRAM MACL, STD-II (R), CLASS 'B'		MUKTAPUR	SWRD NO.-
		TO SUIT SIP NO. ECR/SIP/SPJ/320/2018 ALT-IV			Dy.CSTE/C/1/SPJ 2018/RD/07
Sr.DSTE/SPJ	DSTE/W/SPJ	JE/DRG/SPJ			