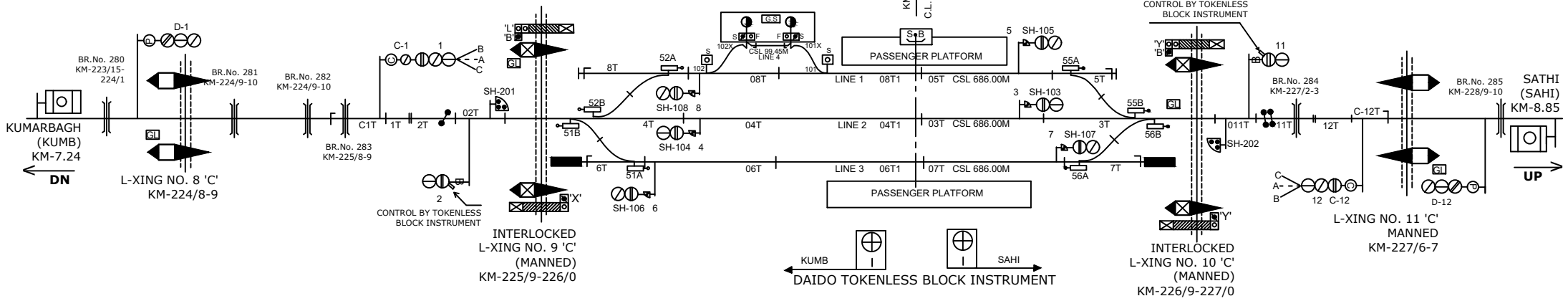
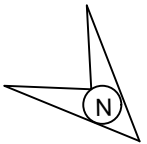
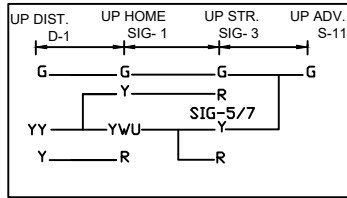


CHANPATIA STATION

चनपटिया स्टेशन

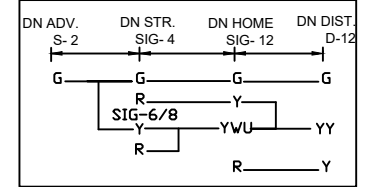


UP ASPECT CONTROL CHART



- CONNECTED WITH LC GATE No. 9 'C'
- CONNECTED WITH LC GATE No. 10 'C' & 11 'C'.
- MEGNETO PHONE AT LC GATE No. 8 'C' AT KM 224/8-9 BETWEEN CAI-KUMB
- MEGNETO PHONE AT LC GATE No. 7 'C' BETWEEN CAI-KUMB

DN ASPECT CONTROL CHART



CLASS OF STATION : B
STD OF SIG & INTERLOCKING: STD-II®

EAST CENTRAL RAILWAY
SAMASTIPUR DIVISION

STATION WORKING RULE DIAGRAM
MACL, STD-II® CLASS 'B'

CHANPATIA

SWRD NO.-
DY.CSTE/CON/
I/SPJ/
2008(R.D.)/12.

SR.DSTE/SPJ DSTE/SPJ JE/DRG

TO SUIT SIP NO. ECR/SIP/SPJ/341/2008 ALT-VI