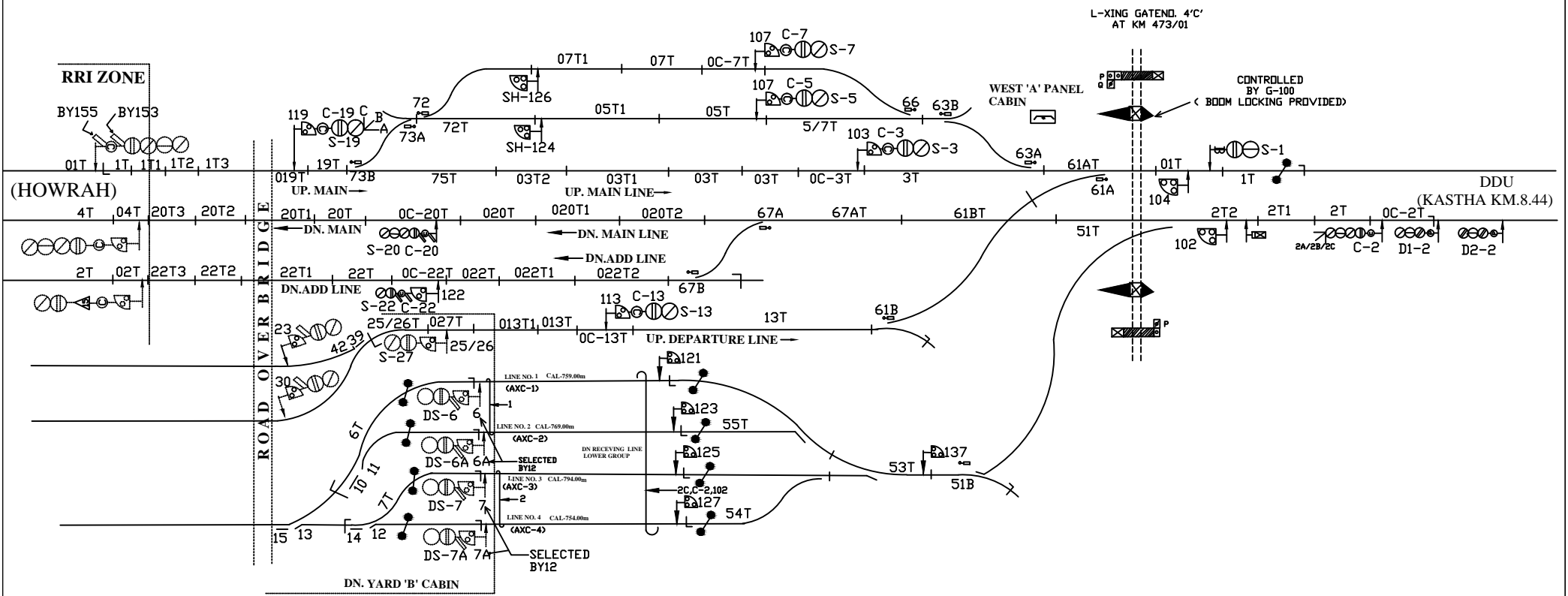


????????'dsfcu

???

WEST 'A' CABIN GAYA



TO SUIT SIP NO.ECR/SIP/MGS/031 /2005 ALT-VIII

E C R			GAYA JN. WAST 'A' CABIN	DRG. No. SG/DDU/ SK-200 SH. No. 1/1
	SSE/ D&D	DSTE/DDU		