



नबीनगर (NBG) (E.I)

MACLS, "B" CLASS, STD-II

DOC:-18.01.22

TO SUIT SWRD NO- 06/2021/DSTE/DDU

(GHD) DN ← → (SEB) UP

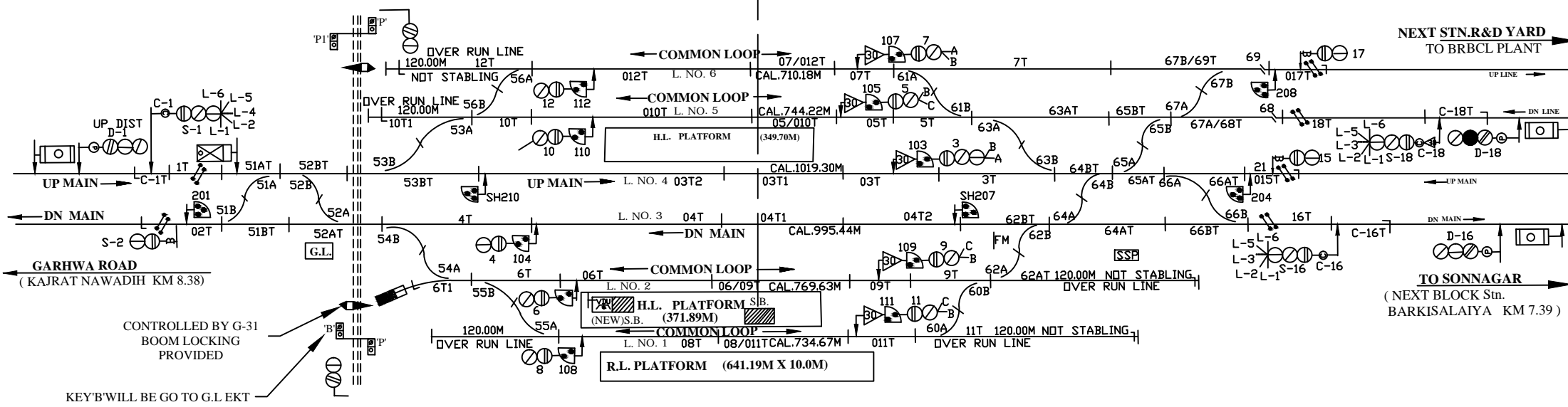
INTERLOCKED
L-XING NO.29
CLASS-'SPL' KM.381.0335
(MOTOR OPERATED)

C/L OF STATION BUILDING

KM.381.84(FROM GMO)

KM.681.99(FROM HWH)

CH:00.00M



NEXT STN.R&D YARD
TO BRBCL PLANT

GARHWA ROAD
(KAJRAT NAWADIH KM 8.38)

TO SONNAGAR
(NEXT BLOCK Stn.
BARKISALAIYA KM 7.39)

CONTROLLED BY G-31
BOOM LOCKING
PROVIDED

KEY 'B' WILL BE GO TO G.L EKT

TO SUIT SIP NO. ECR/SIP/DDU/NBG/193/2021 DT.20.09.21

E C R			ELECTRONIC INTERLOCKING CLASS 'B' II	NABENAGAR DDU. DIV.	DRG. No. SG/DDU/ SK/2022 SH. No. 42
	SSE/DRG	DSTE/DDU			