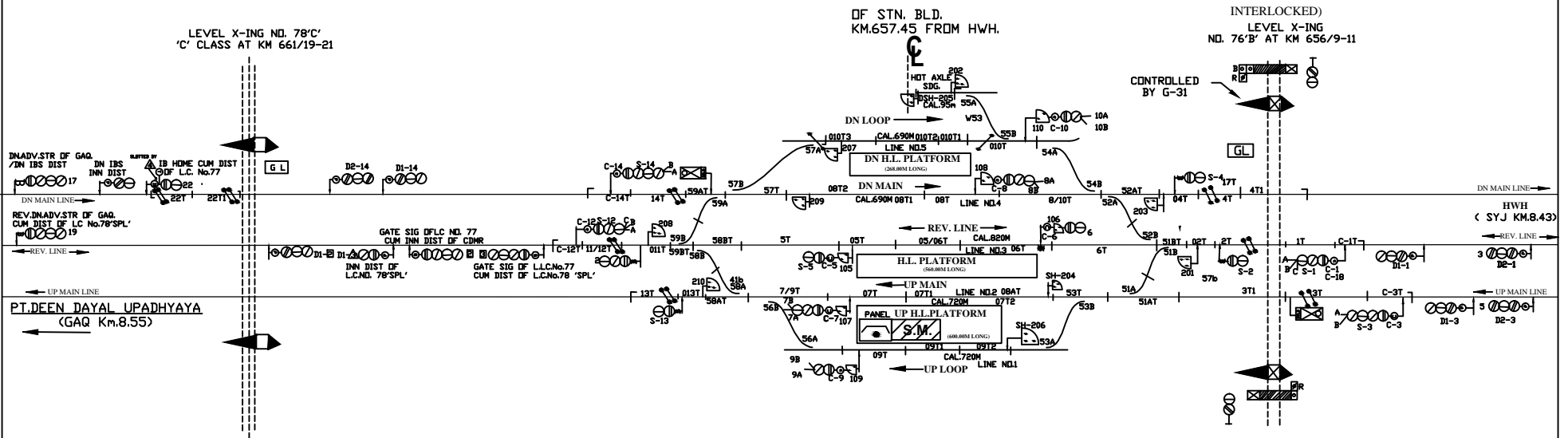


**चन्दौली मझवार (CDMR) (EI)**  
**MACLS 'B' CLASS, STD-III**  
**DOC:-27.02.2021**  
**TO SUIT SWRD NO. 08-2020/DY CSTE/W/DDU**



NOTE :-  
 1. MAGNETO TELEPHONE CNNECTED WITH SM's OFFICE. L-XING GATE No. 77/CE,76A/CT,76/BE & 75/CE.

TO SUIT SIP NO. ECR/SIP/DDU/003/2020

E			ELECTRONIC INTERLOCKING (MACLS.STD-III R CLASS-B)	<b>CHANDAULI MAJHWAR DDU. DIV.</b>	DRG. No. SG/DDU/ SK/2020 SH. No. 4
C	SSE/ D&D	DSTE/DDU			
R					