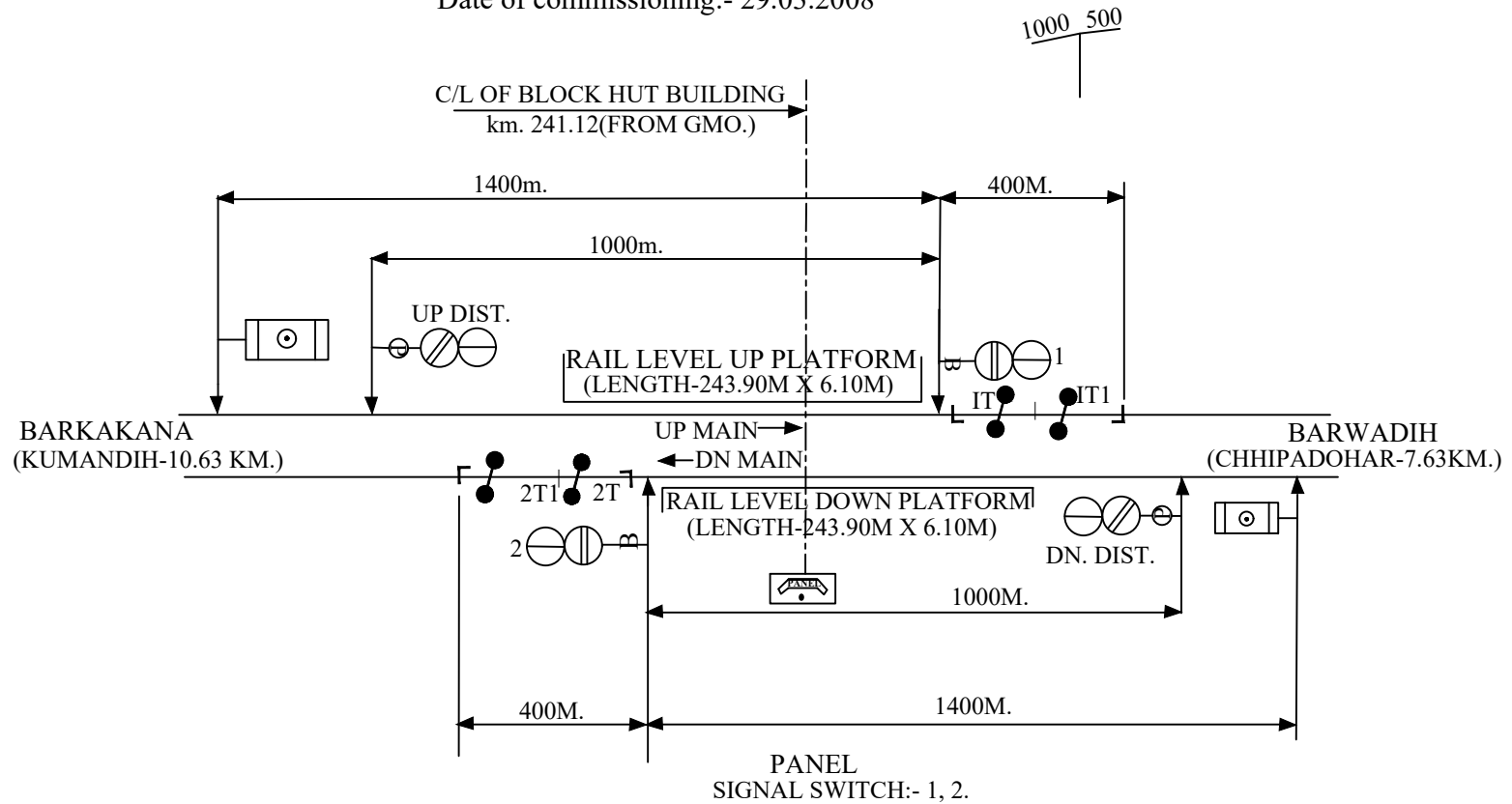


HEHEGARA B.H. (HHG) PANEL MACLS, 'C' CLASS STD-II(R)

Date of commissioning:- 29.03.2008



ASPECT CONTROL CHART

DOWN →		← UP	
DN. DIST.	SIG.NO.2	SIG.NO.1	UP. DIST.
G-----G		G-----G	
Y-----R		R-----Y	

NOTE :-

1. ABSOLUTE BLOCK SYSTEM OF WORKING WITH CHHIPADOHAR & KUMANDIH.
2. DOUBLE LINE BLOCK INSTRUMENT MSW/ HWH TYPE ARE IN USE AND LOCATED AT PANEL ROOM.
3. CONTROL TELEPHONE PROVIDED WITH PANEL / ASM.
4. BPAC BETWEEN HEHEGARA AND KUMANDIH STATION ON BOTH UP & DN LINES PROVIDED.
5. BPAC BETWEEN HEHEGARA AND CHHIPADOHAR STATION ON BOTH UP & DN LINES PROVIDED.

