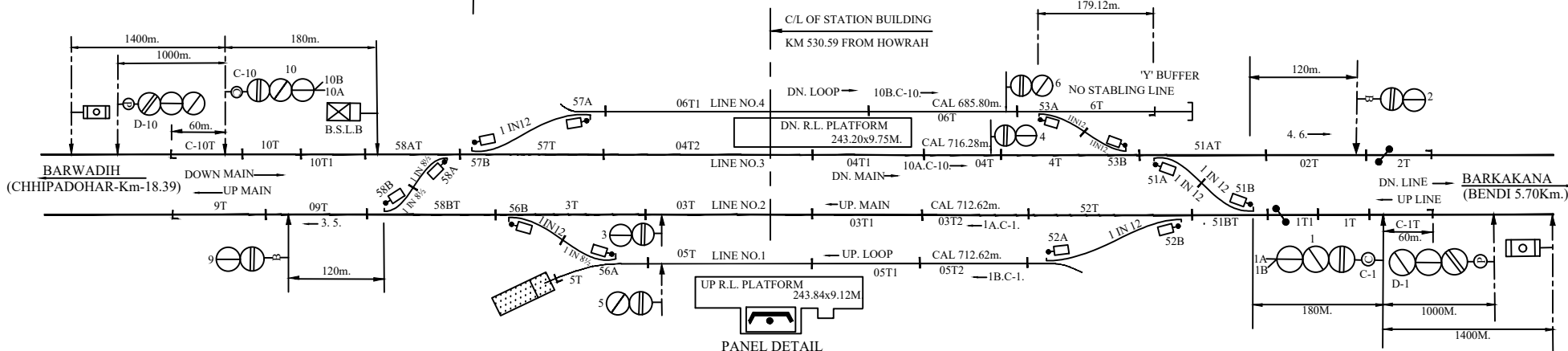
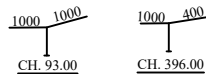
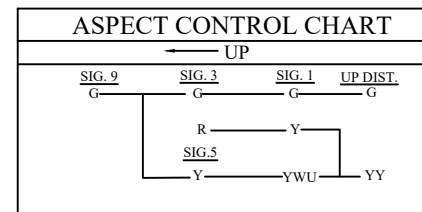
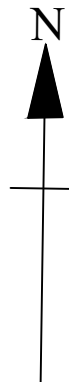
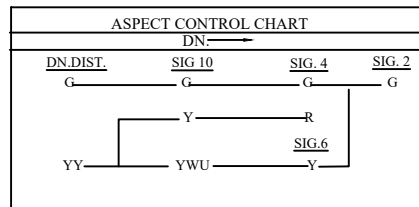


# KUMANDIH (KMND)

## MACLS 'B' CLASS STD-III

DATE OF COMMISSIONING:-14.04.2007



**PANEL DETAIL**

MAIN SIGNAL BUTTONS:-1.2.3.4.5.6.9.10.  
 CALLING ON SIGNAL BUTTONS:-C-1.C-10.  
 POINT BUTTONS:-51.52.53.56.57.58.  
 CRANK HANDLE BUTTONS:-CH1.CH2.CH3.CH4.CH5.CH6.

- NOTE :-**
1. ABSOLUTE BLOCK SYSTEM OF WORKING WITH CHHIPADOHAR AND BENDI STATIONS..
  2. DOUBLE LINE LOCK & BLOCK INSTRUMENT MSW/HWH TYPE WITH CHHIPADOHAR & BENDI STATION LOCATED AT PANEL ROOM.
  3. CONTROL TELEPHONE PROVIDED AT S.M. PANEL.
  4. L. V. PROVING AXLE COUNTERS PROVIDED FOR KUMANDIH - BENDI SECTION IN BOTH UP LINE AND DN LINE.
  5. ANGLE OF CROSSING ARE INDICATED.
  6. MAGNETO TELEPHONE PROVIDED BETWEEN SM/PANEL & L.C. GATE NO.-41/C/E.