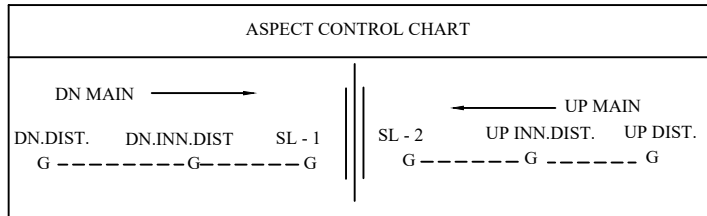
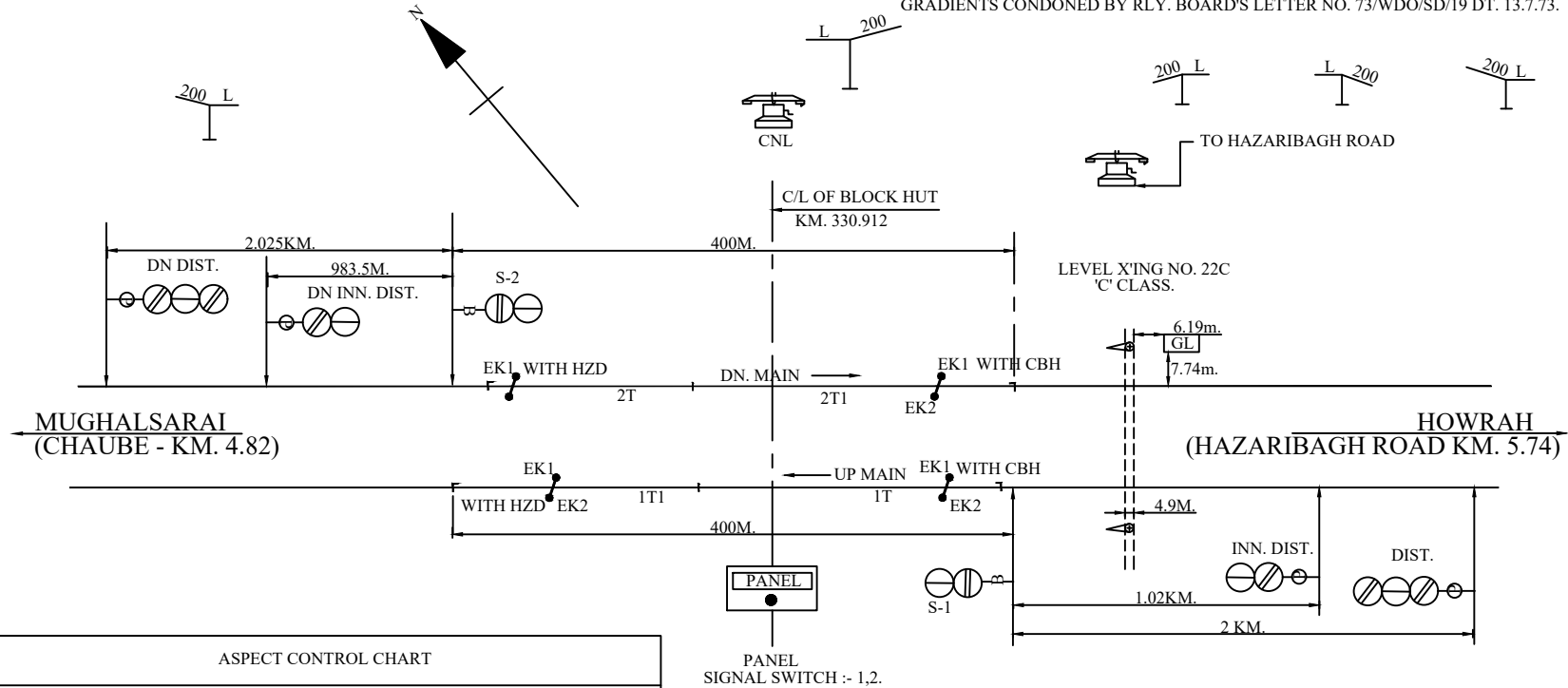


KESHWARI (KSHR) B.H.

CENTRAL PANEL MACLS. 'C' CLASS STD-III

Date of commissioning:-23.04.2004

GRADIENTS CONDONED BY RLY. BOARD'S LETTER NO. 73/WDO/SD/19 DT. 13.7.73.



NOTE:-

1. ABSOLUTE BLOCK SYSTEM OF WORKING WITH HAZARIBAG ROAD & CHAUBE.
2. CONTROL TELEPHONE PROVIDED PANEL/ASM.
2. CONTROL TELEPHONE PROVIDED PANEL/ASM.