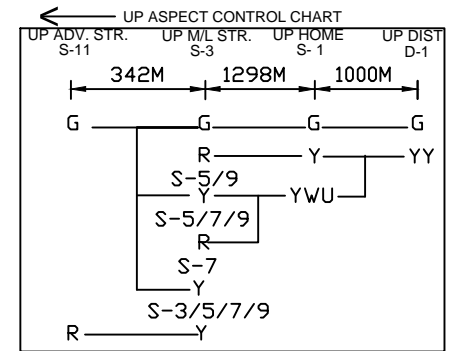
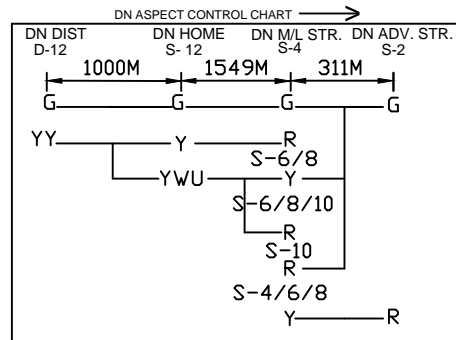
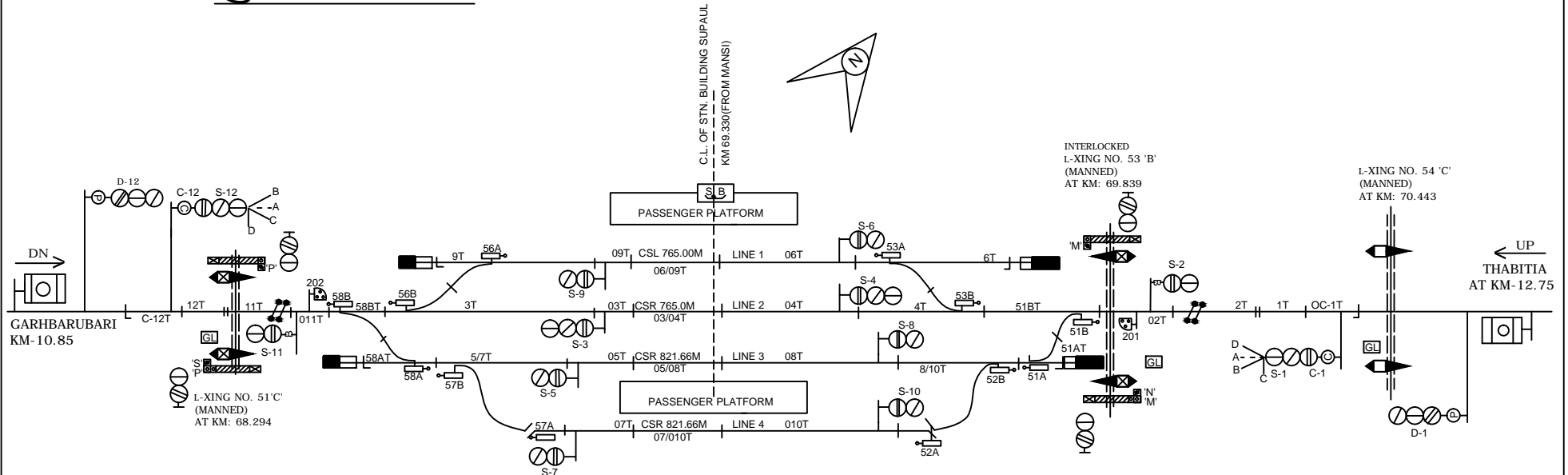


SUPAUL STATION सुपौल स्टेशन



NOTE:-
MEGNETO TELEPHONE PROVIDED AT LC GATE No.51, 53, 54, 56 & 57.

CLASS OF STATION : B
STD OF SIG & INTERLOCKING: STD-II (R)

EAST CENTRAL RAILWAY SAMASTIPUR DIVISION			STATION WORKING RULE DIAGRAM MACL, STD-II (R) CLASS 'B'	SUPAUL	SWRD NO.-
	Sr.DSTE/SPJ	ASTE/W/SPJ	SSE/SIG/SPJ		TO SUIT SIP NO. ECR/SIP/SPJ/419/2019, ALT-II