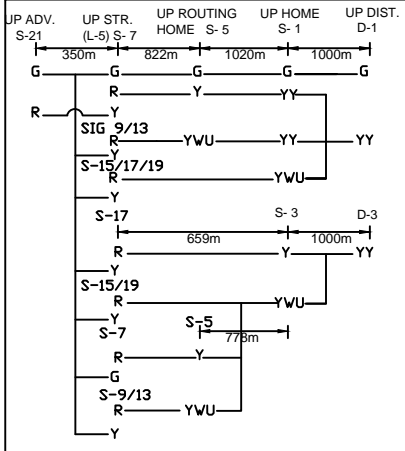


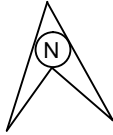
← UP ASPECT CONTROL CHART



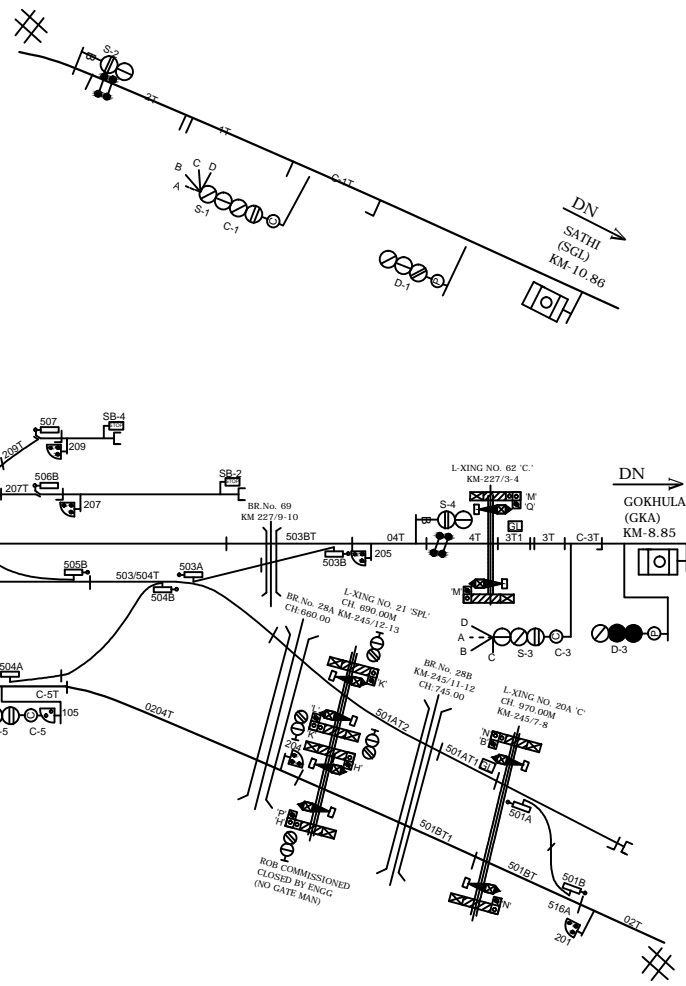
NARKATIAGANJ STATION

नरकटियागंज स्टेशन

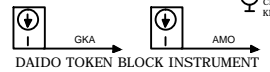
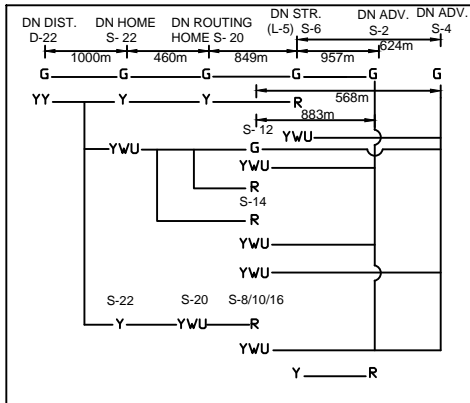
C.L. OF STATION BLDGS.
KM 246/7 (FROM BCA)



ROB COMMISSIONED
CLOSED BY ENGG
(NO GATE MAN)



DN ASPECT CONTROL CHART →



NOTE:-
MAGNETO TELEPHONE PROVIDED AT PANEL CABIN GATE NO.20 & 21 (AT CAMU SIDE),
LC NO.19,20,20A,21 & 22 (AT SAHI SIDE) & LC NO. 61, 62 (AT GKA SIDE)

CLASS OF STATION : B
STD OF SIG & INTERLOCKING: STD-II

EAST CENTRAL RAILWAY SAMASTIPUR DIVISION	STATION WORKING RULE DIAGRAM MACL, STD-II, CLASS 'B'	NARKATIAGANJ	SWRD NO.-
			DY CSTE/C/SPJ/ 2017(RD)/02
Sr.DSTE/SPJ	DSTE/SPJ	JE/DRG	TO SUIT SIP NO. ECR/SIP/SPJ/343/2016 ALT-VIII