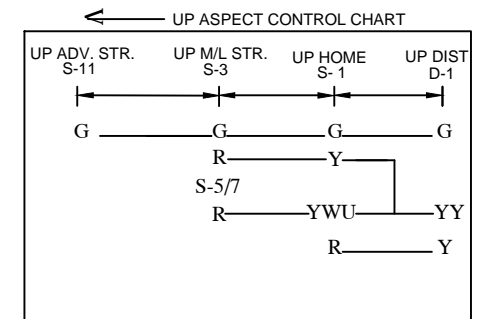
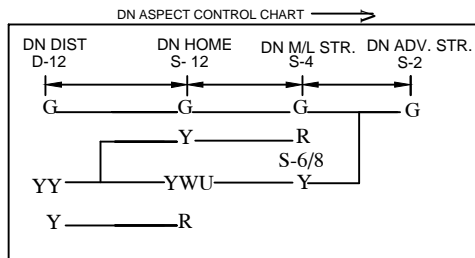
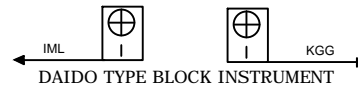
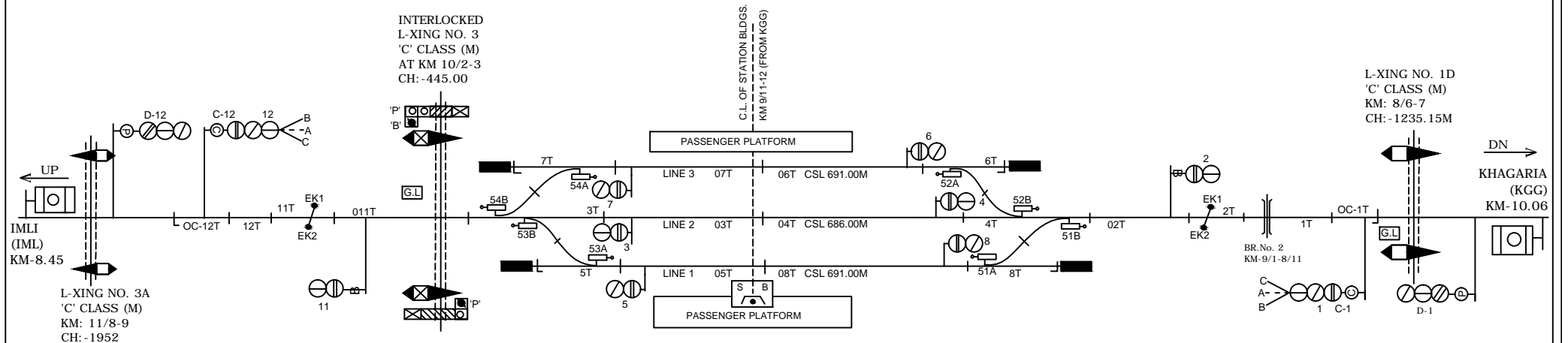
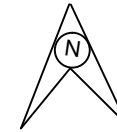


# OLAPUR STATION ओलापुर स्टेशन



NOTE:  
MAGNETO TELEPHONE PROVIDED BETWEEN PANEL CABIN & L.C.  
GATE NO.: -1A'C', 1B'B', 1C'C' & 1D'C' BETWEEN OLP-KGG AND  
3'C' 3A'C' & 3B'C' BETWEEN IMLI-OLP.

CLASS OF STATION : B  
STD OF SIG & INTERLOCKING: STD-II (R)

EAST CENTRAL RAILWAY SAMASTIPUR DIVISION	SR.DSTE/SPJ	DSTE/SPJ	JE/DRG	STATION WORKING RULE DIAGRAM MACL, STD-II (R), CLASS 'B'	OLAPUR	SWRD NO. -
				TO SUIT SIP NO. ECR/SIP/SPJ/401/2006 ALT-X		SR.DSTE/SPJ 2018/RD/22