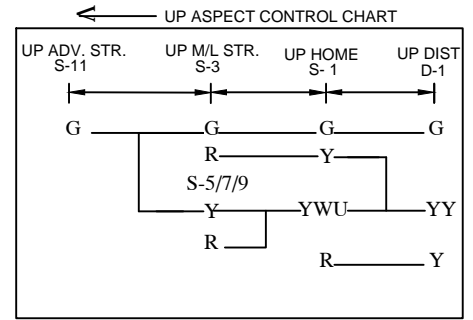
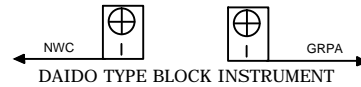
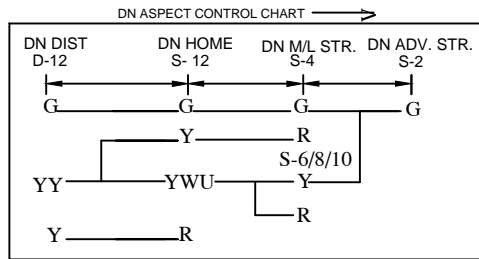
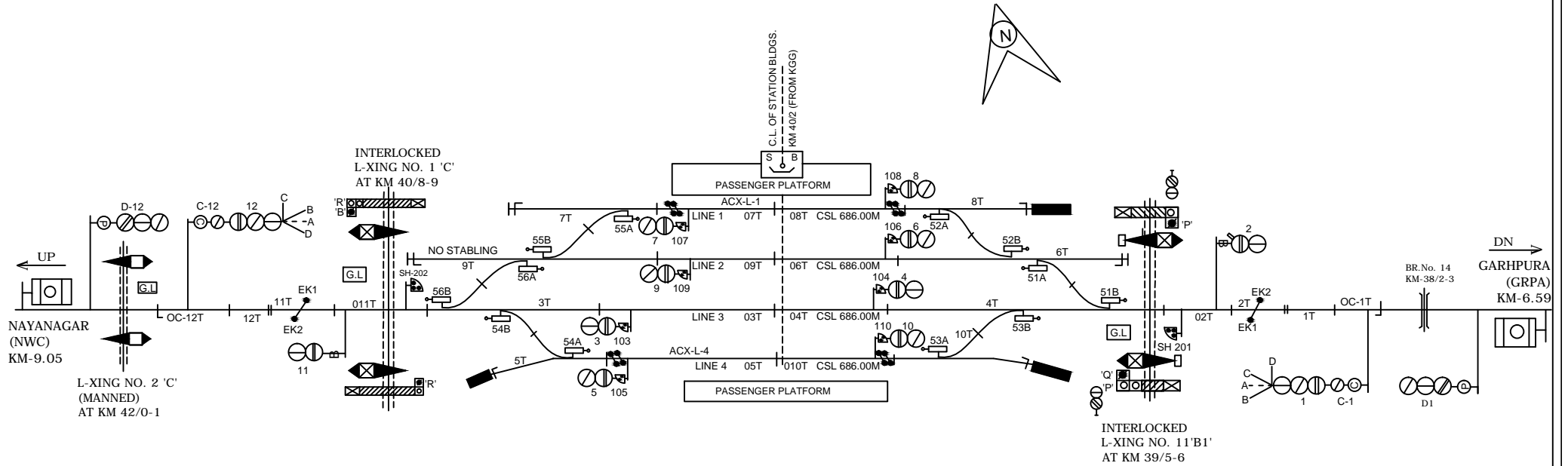


# HASANPUR ROAD STATION

## हसनपुर रोड स्टेशन



NOTE:  
MAGNETO TELEPHONE PROVIDED BETWEEN SM'S OFFICE AND GATE NO.-:1'C',  
2'C', 3'C', & 4'C' BETWEEN NWC-HPO AND 10'C' & 11'B1' HPO -GRPA.

CLASS OF STATION : B  
STD OF SIG & INTERLOCKING: STD-II (R)

EAST CENTRAL RAILWAY SAMASTIPUR DIVISION	SR.DSTE/SPJ	DSTE/SPJ	JE/DRG	STATION WORKING RULE DIAGRAM MACL, STD-II (R), CLASS 'B'	HASANPUR ROAD	SWRD NO.-
				TO SUIT SIP NO. ECR/SIP/SPJ/397/2006 ALT-IX		SR.DSTE/SPJ 2018/RD/18