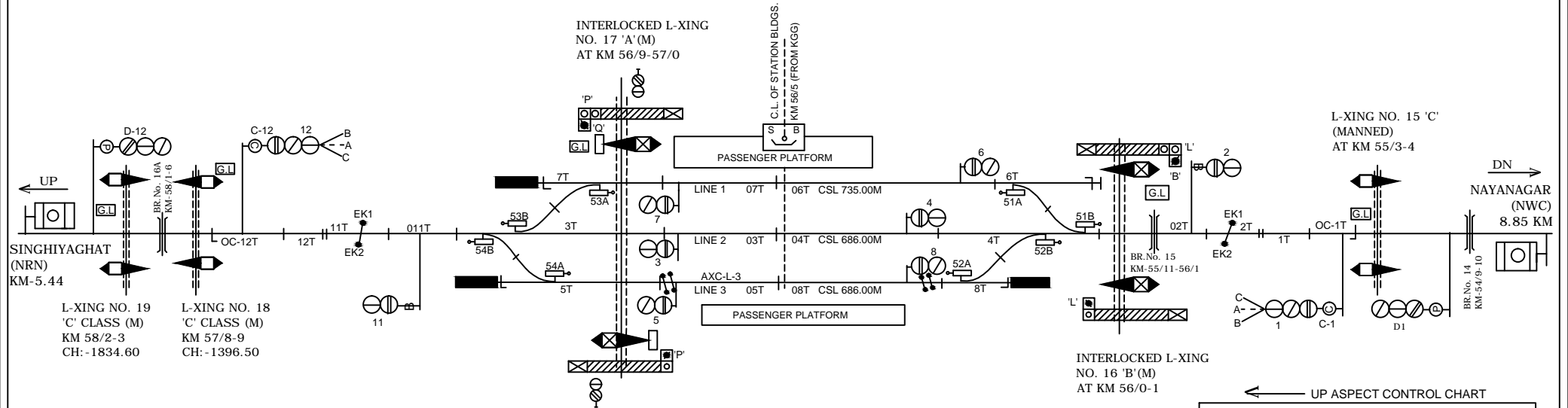
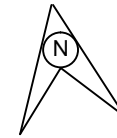


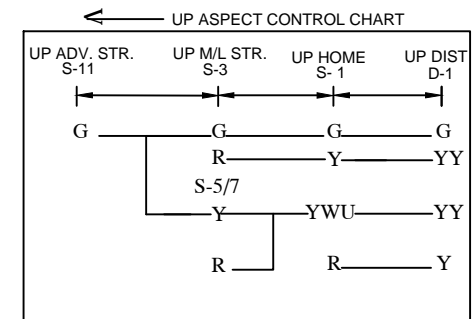
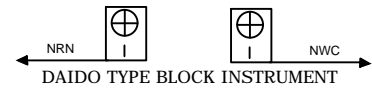
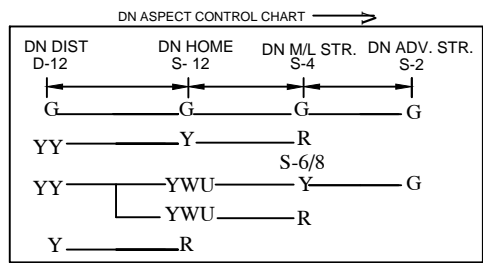
# RUSERAGHAT STATION

## रोसराघाट स्टेशन



L-XING NO. 19 'C' CLASS (M) KM 58/2-3 CH: -1834.60

L-XING NO. 18 'C' CLASS (M) KM 57/8-9 CH: -1396.50



NOTE:  
MAGNETO TELEPHONE PROVIDED BETWEEN SM'S OFFICE AND GATE NO.: -13'C 14'B2', 15'C, 16'B' BETWEEN ROA-NWC AND 17'A', 18'C' & 19'C' BETWEEN NRN-ROA.

CLASS OF STATION : B  
STD OF SIG & INTERLOCKING: STD-II (R)

EAST CENTRAL RAILWAY SAMASTIPUR DIVISION				STATION WORKING RULE DIAGRAM MACL, STD-II (R), CLASS 'B'	RUSERAGHAT	SWRD NO.-
	SR.DSTE/SPJ	DSTE/SPJ	JE/DRG	TO SUIT SIP NO. ECR/SIP/SPJ/395/2006 ALT-X		SR.DSTE/SPJ 2018/RD/14