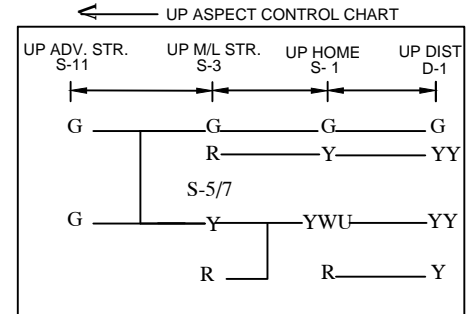
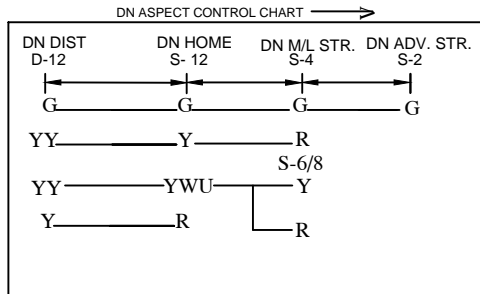
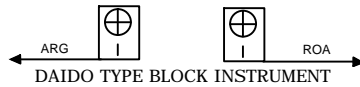
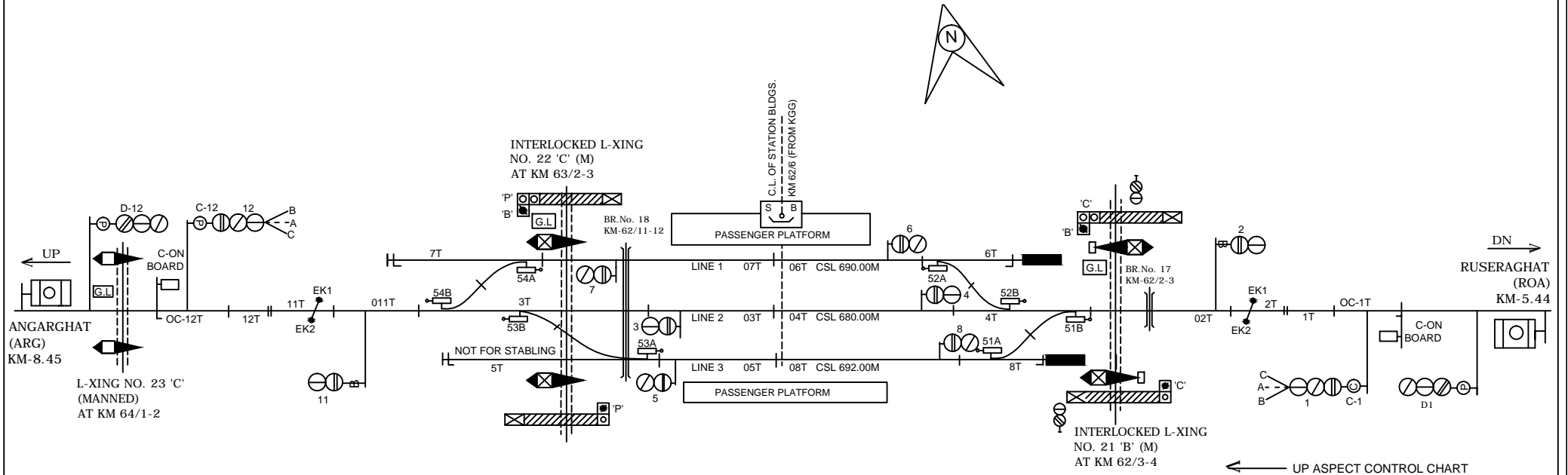


# SINGHIYAGHAT STATION

## सिंधियाघाट स्टेशन



NOTE:  
MAGNETO TELEPHONE PROVIDED BETWEEN SM'S  
OFFICE AND GATE NO.: -20'C', 21'B', 22'C', 23'C',  
24'C', 25'C' & 26'C'.

CLASS OF STATION : B  
STD OF SIG & INTERLOCKING: STD-III

EAST CENTRAL RAILWAY SAMASTIPUR DIVISION				STATION WORKING RULE DIAGRAM MACL, STD-III, CLASS 'B'	SINGHIYAGHAT	SWRD NO.-
	SR.DSTE/SPJ	DSTE/SPJ	JE/DRG	TO SUIT SIP NO. ECR/SIP/SPJ/394/2006 ALT-IX		SR.DSTE/SPJ 2018/RD/10