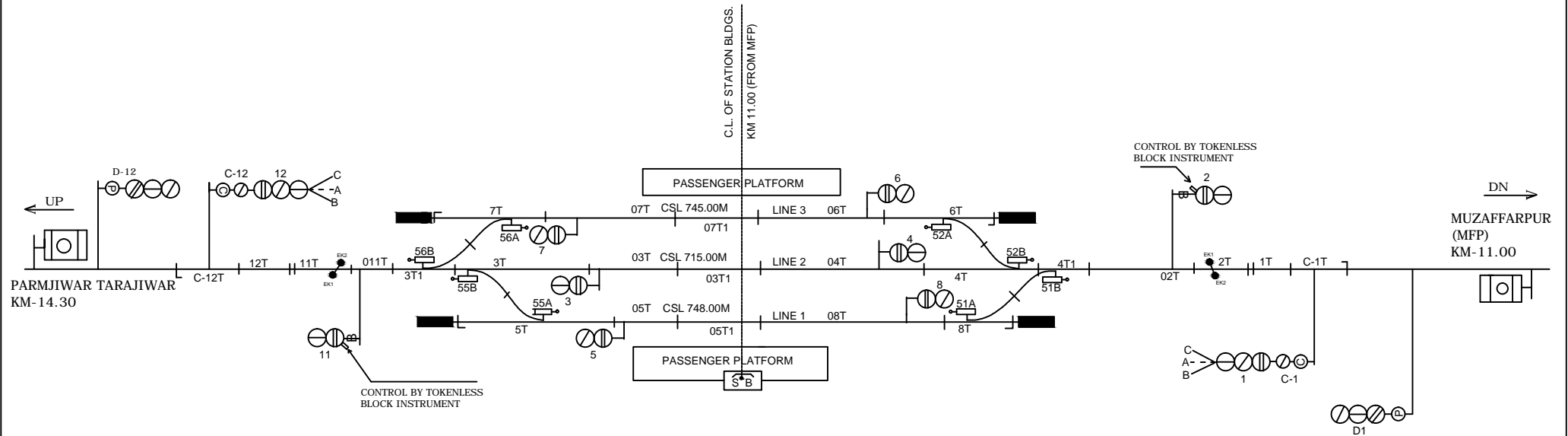
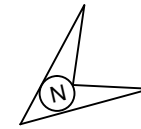


# JUBBA SAHANI STATION

## जुब्बा साहनी स्टेशन

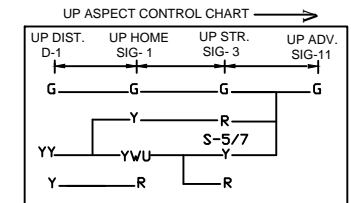
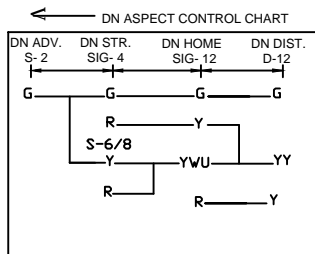


PARMIJIWAR TARAJIWAR  
KM-14.30

DN →  
MUZAFFARPUR (MFP)  
KM-11.00

CONTROL BY TOKENLESS  
BLOCK INSTRUMENT

CONTROL BY TOKENLESS  
BLOCK INSTRUMENT



NOTE:-  
MAGNETO TELEPHONE PROVIDED BETWEEN PANEL ROOM GATE NO.2, 3, 4, 6, 7, 8.

CLASS OF STATION : B  
STD OF SIG & INTERLOCKING: STD-II ®

EAST CENTRAL RAILWAY SAMASTIPUR DIVISION	SR.DSTE/SPJ	DSTE/SPJ	JE/DRG	STATION WORKING RULE DIAGRAM MACL, STD-II ®, CLASS 'B'	JUBBA SAHANI	SWRD NO. -
				TO SUIT SIP NO. ECR/SIP/SPJ/436/2010 ALT-VII		DY.CSTE/C/I/SPJ 2011/RD/10