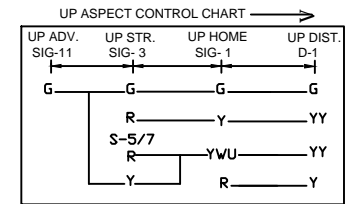
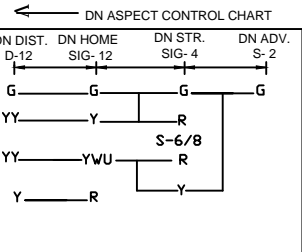
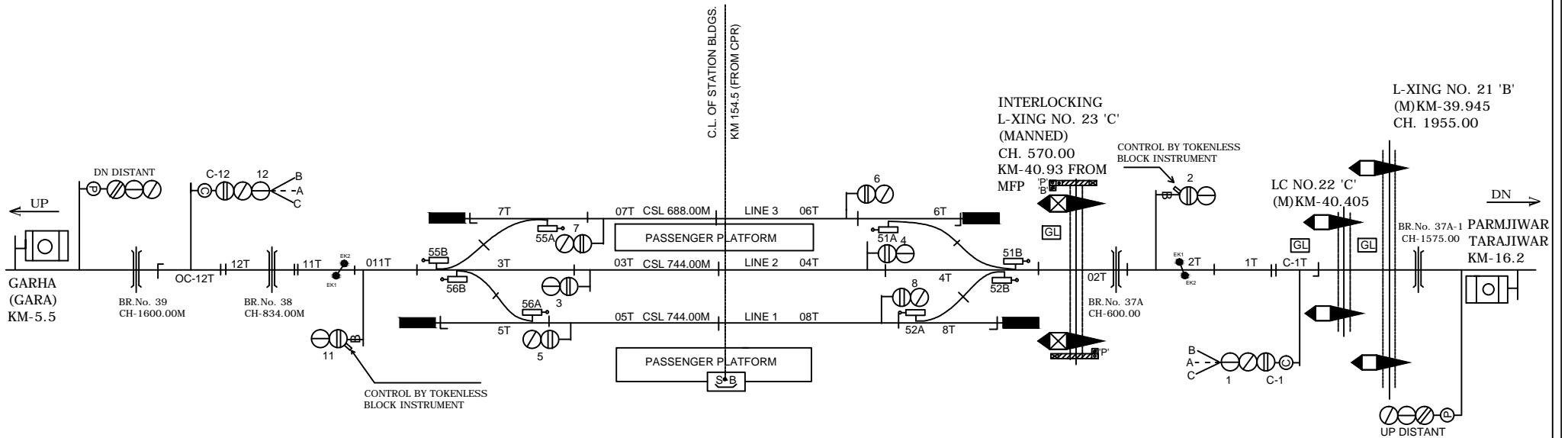
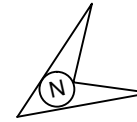


RUNNI-SAIDPUR STATION

रुनीसैदपुर स्टेशन



NOTE:-
MAGNETO TELEPHONE PROVIDED BETWEEN PANEL ROOM GATE NO. 16,17,17A, 18,19,20,21
22,23,24

CLASS OF STATION : B
STD OF SIG & INTERLOCKING: STD-III

EAST CENTRAL RAILWAY
SAMASTIPUR DIVISION

STATION WORKING RULE DIAGRAM
MACL, STD-II (C) CLASS 'B'

RUNNI-SAIDPUR

SWRD NO. -

DY.CSTE/C-I/SPJ
2010/RD/08

SR.DSTE/SPJ

DSTE/SPJ

JE/DRG

TO SUIT SIP NO. ECR/SIP/SPJ/438/2007 ALT-V