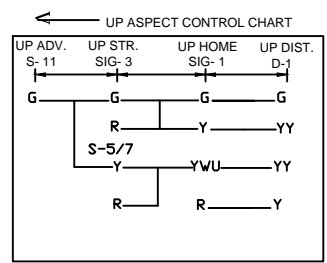
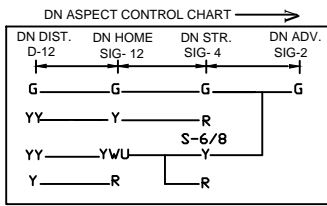
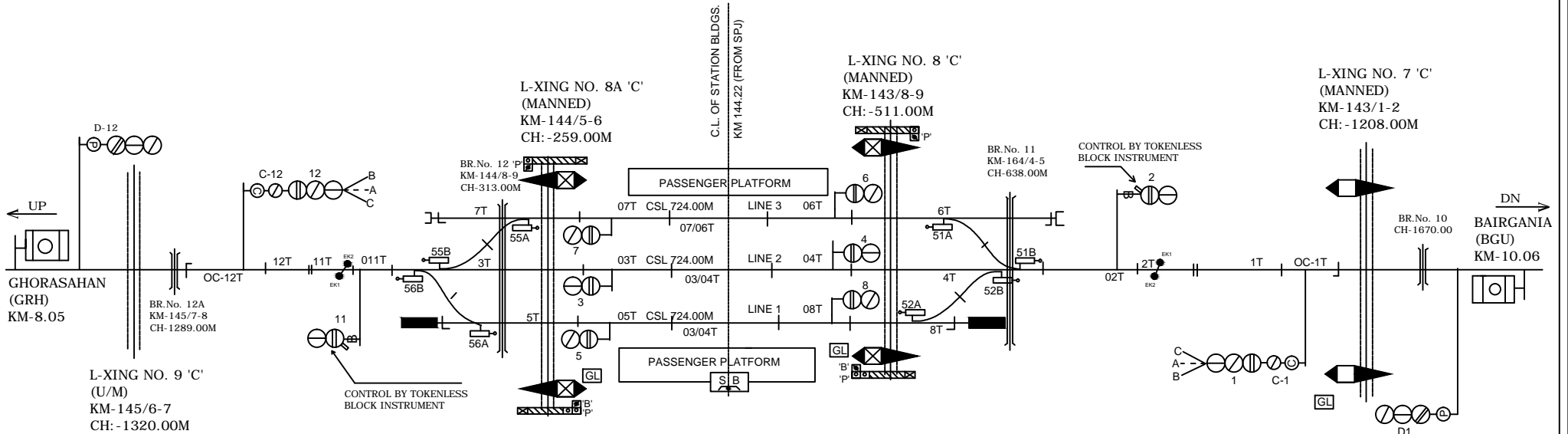
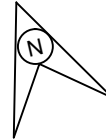


KUNDWA CHAINPUR STATION

कुंडवा चैनपुर स्टेशन



NOTE:- MAGNETO TELEPHONE PROVIDED BETWEEN PANEL ROOM GATE NO. 4A'C', 5'C', 6'C', 7'C', 8'C', 8A'C', 9'C' & 10'C'.

CLASS OF STATION : B
STD OF SIG & INTERLOCKING: STD-II (R)

EAST CENTRAL RAILWAY SAMASTIPUR DIVISION	SR.DSTE/SPJ	DSTE/SPJ	JE/DRG	STATION WORKING RULE DIAGRAM MACL, STD-II (R) CLASS 'B'	KUNDWA CHAINPUR	SWRD NO. -
				TO SUIT SIP NO. ECR/SIP/SPJ/360/2011 ALT-V		DY.CSTE/C-I/SPJ 2011/RD/09