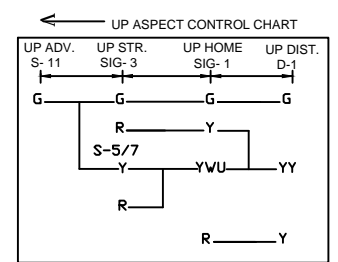
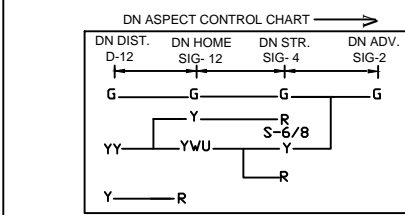
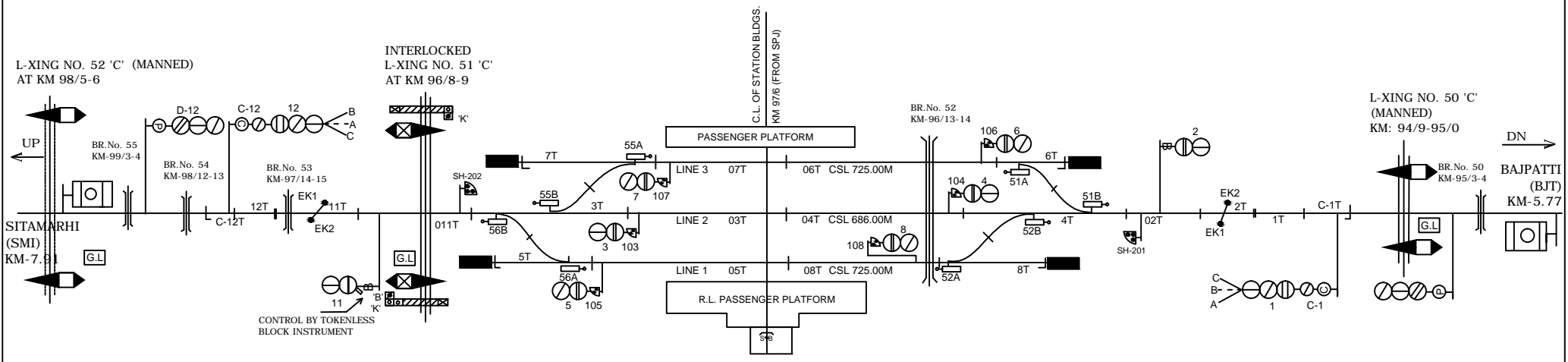
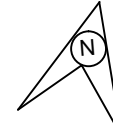


PARSAUNI STATION

परसौनी स्टेशन



NOTE:-
MAGNETO TELEPHONE PROVIDED BETWEEN PANEL GATE NO.49'C' & 50'C' BETWEEN BJI-PSZ.51'C' , 52'C' & 53'C' BETWEEN SMI-PSZ.

CLASS OF STATION : B
STD OF SIG & INTERLOCKING: STD-II ®

EAST CENTRAL RAILWAY SAMASTIPUR DIVISION	SR.DSTE/SPJ	DSTE/SPJ	JE/DRG	STATION WORKING RULE DIAGRAM MACL, STD-II ® CLASS 'B'	PARSAUNI	SWRD NO.-
				TO SUIT SIP NO. ECR/SIP/SPJ/365/2008 ALT-VII		DY.CSTE/RE/DNR 05/2020(RD)