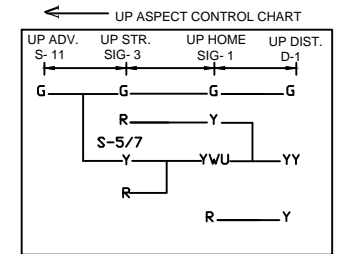
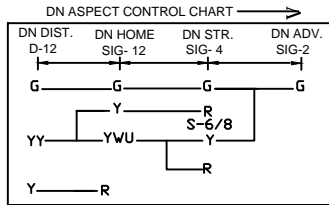
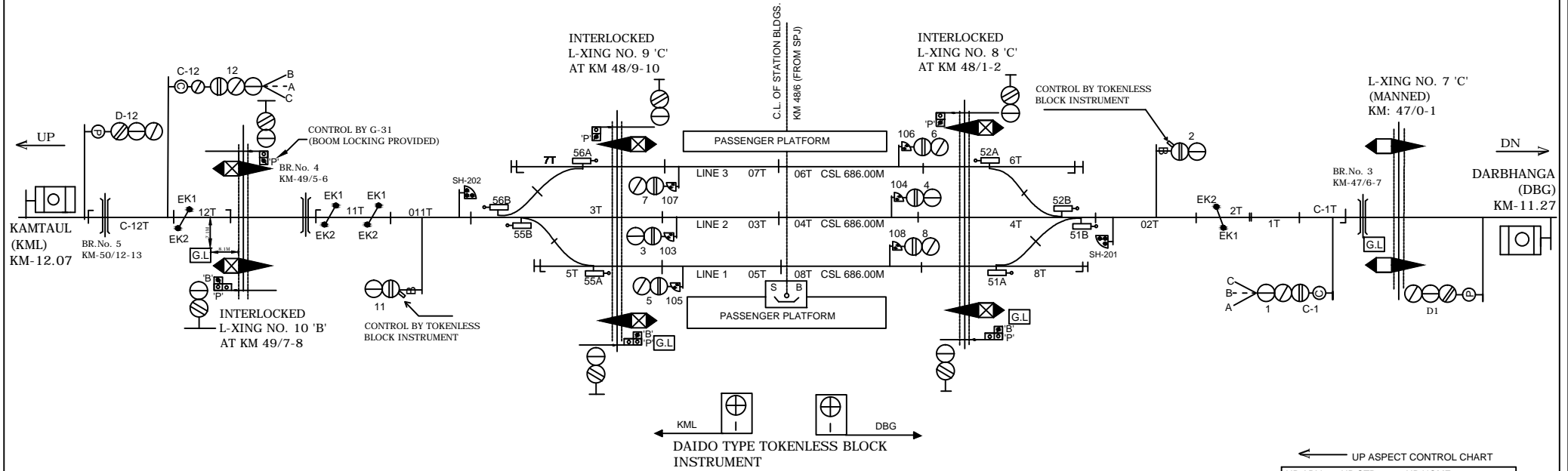
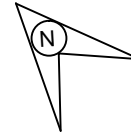


# MOHAMMADPUR STATION

## मुहम्मदपुर स्टेशन



MAGNETO TELEPHONE PROVIDED BETWEEN PANEL ROOM, LC GATE NO:-4'C,5'C,6'C,7'C,8'C BETWEEN DBG-MHP AND 9'C,10'B,12'C,13'C,14'C & 15'C BETWEEN MHP-KML.

CLASS OF STATION : B  
STD OF SIG & INTERLOCKING: STD-II ®

EAST CENTRAL RAILWAY SAMASTIPUR DIVISION	SR.DSTE/SPJ	DSTE/SPJ	JE/DRG	STATION WORKING RULE DIAGRAM MACL, STD-II ® CLASS 'B'	MOHAMMADPUR	SWRD NO. -
				TO SUIT SIP NO. ECR/SIP/SPJ/370/2008 ALT-VIII		RDY.CSTE/C-I/SPJ 2009/RD/06