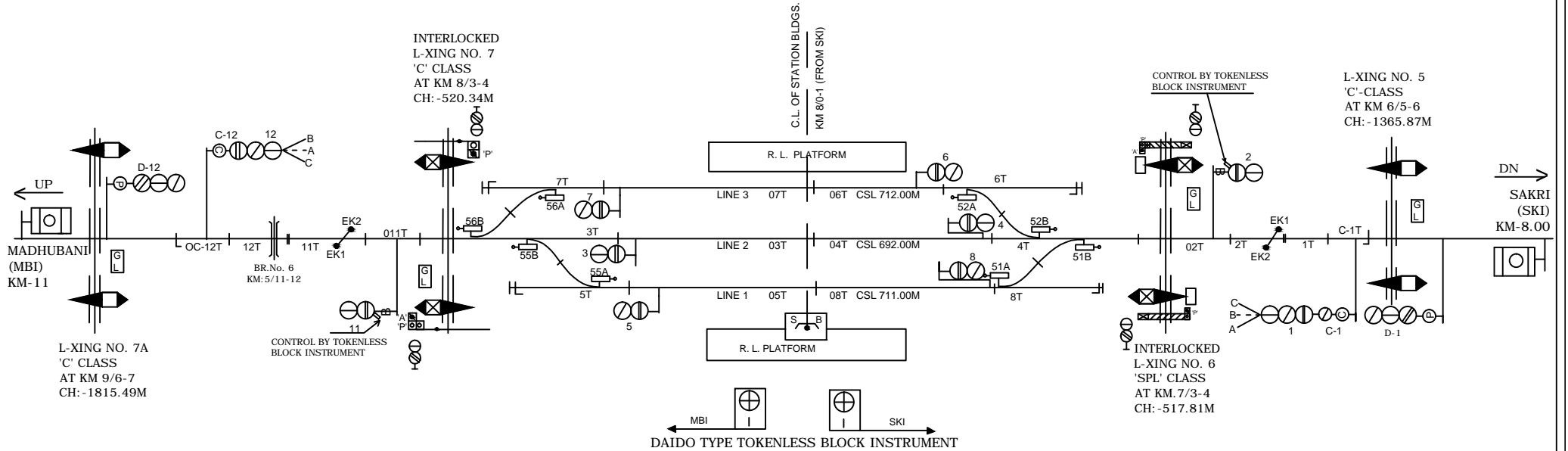
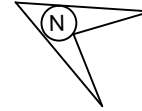


# PANDAUL STATION पन्डौल स्टेशन



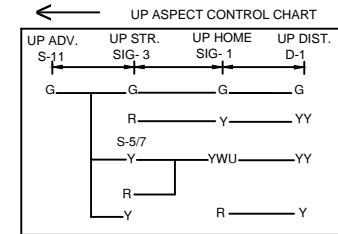
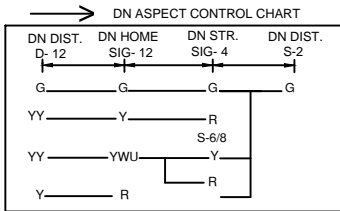
L-XING NO. 7A  
'C' CLASS  
AT KM 9/6-7  
CH:-1815.49M

INTERLOCKED  
L-XING NO. 7  
'C' CLASS  
AT KM 8/3-4  
CH:-520.34M

CONTROL BY TOKENLESS  
BLOCK INSTRUMENT

L-XING NO. 5  
'C'-CLASS  
AT KM 6/5-6  
CH:-1365.87M

INTERLOCKED  
L-XING NO. 6  
'SPL' CLASS  
AT KM.7/3-4  
CH:-517.81M



NOTE:-  
MAGNETO TELEPHONE CONNECTED PROVIDED BETWEEN PANEL ROOM , LC GATE - 3'C, 5'C, 6'C  
BETWEEN SKI-PDW AND 7'C, 7'AC' & 8 BETWEEN PDW-MBI.

CLASS OF STATION : B  
STD OF SIG & INTERLOCKING: STD-II(®)

EAST CENTRAL RAILWAY  
SAMASTIPUR DIVISION

STATION WORKING RULE DIAGRAM  
MACL, STD-III, CLASS 'B'

PANDAUL

SWRD NO.-

SR.DSTE/SPJ  
2020/RD/04

SR.DSTE/SPJ

DSTE/SPJ

JE/DRG

TO SUIT SIP NO. ECR/SIP/SPJ/380/2007 ALT-VI