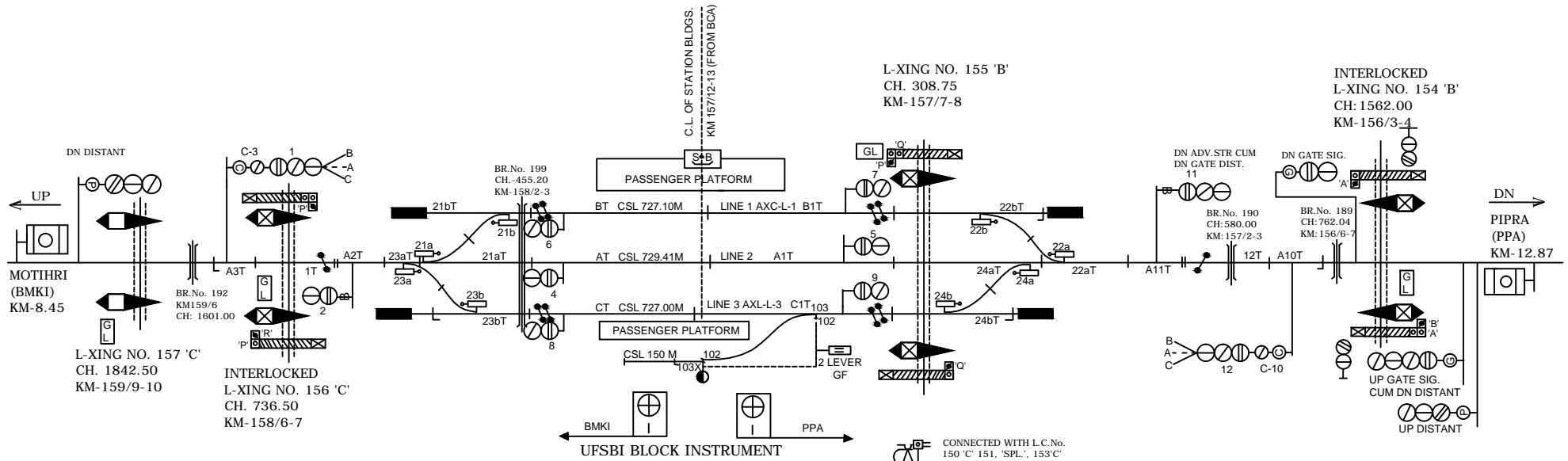
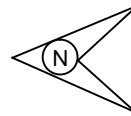


JIWDHARA STATION

जिवधारा स्टेशन



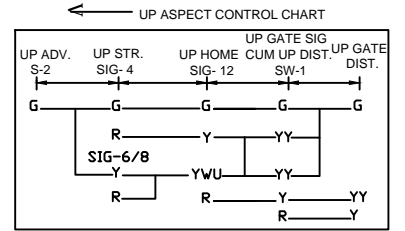
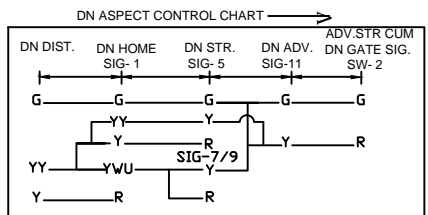
L-XING NO. 155 'B'
CH. 308.75
KM-157/7-8

INTERLOCKED
L-XING NO. 154 'B'
CH: 1562.00
KM-156/3-4

L-XING NO. 157 'C'
CH. 1842.50
KM-159/9-10

INTERLOCKED
L-XING NO. 156 'C'
CH. 736.50
KM-158/6-7

- CONNECTED WITH L.C.No. 150 'C' 151, 'SPL.', 153 'C' 154 'B', 155 'B', 156 'C'
- MEGNETO PHONE AT LC GATE No. 152 'C' AT KM 154/8-9 BETWEEN PPA-JDR
- MEGNETO PHONE AT LC GATE No. 157 'C' AT KM 159/9-10 BETWEEN JDR-BMKI
- MEGNETO PHONE AT LC GATE No. 158 'B' AT KM 161/8-9 BETWEEN JDR-BMKI



CLASS OF STATION : B
STD OF SIG & INTERLOCKING: STD-II (R)

EAST CENTRAL RAILWAY SAMASTIPUR DIVISION	SR.DSTE/SPJ	DSTE/SPJ	JE/DRG	STATION WORKING RULE DIAGRAM MACL, STD-II (R) CLASS 'B'	JIWDHARA	SWRD NO.-
				TO SUIT SIP NO. ECR/SIP/SPJ/334/2009ALT-L		DY.CSTE/RE/DNR 05/2018