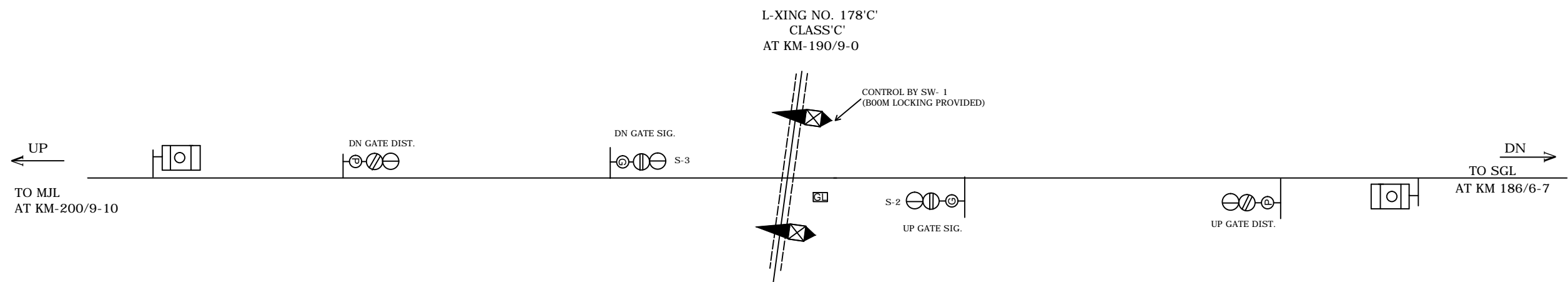
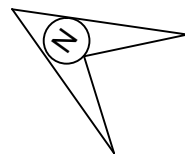


L.C NO.178 'C'



- NOTE: -
1. DEAD APPROACH LOCKING PROVIDED WITH 60 SEC. TIME DELAY VIDE R.B.L. NO. 200/SAFETY(A&R), 19/39/ PT-II DATE.10.06.2014.
 2. MAGNETO TELEPHONE CONNECTED WITH LC GATE . 178'C' AND SAGAULI.
 3. LED SIGNAL LAMPS ARE USED.

?????? ???? ECR RAILWAY ?????????? ???? SAMASTIPUR DIVISION				STATION WORKING RULE DIAGRAM OF L-XING No.178'C' BETWEEN MJL AND SGL AT KM 190/15-191/0	NOT TO SCALE SWRD NO. SR./DSTE/SPJ 2017(RD)/04
	SR.DSTE/SPJ	DSTE/SPJ	SSE/SIG	TO SUIT SIP No.ECR/SIP/SPJ/L-XING-178 'C'/2016	