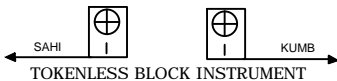
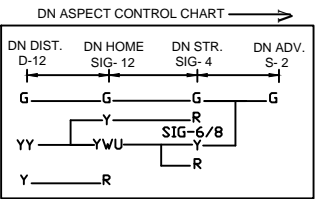
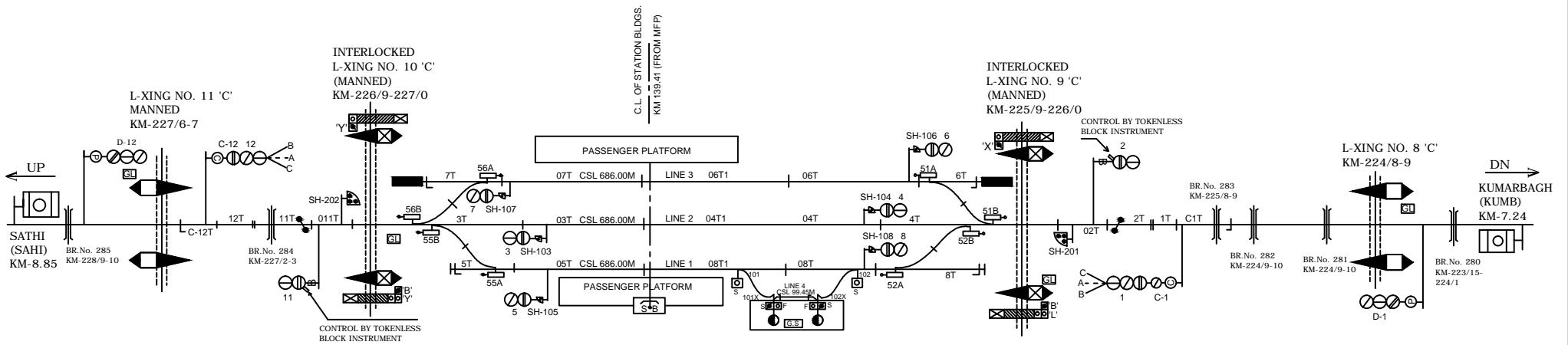
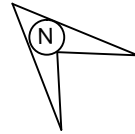
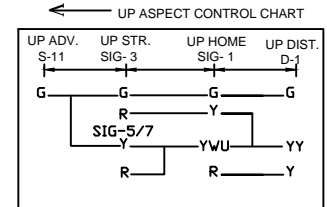


# CHANPATIA STATION

## चनपटिया स्टेशन



- CONNECTED WITH LC GATE No. 9 'C'
- CONNECTED WITH LC GATE No. 10 'C' & 11 'C'.
- MEGNETO PHONE AT LC GATE No. 8 'C' AT KM 224/8-9 BETWEEN CAI-KUMB
- MEGNETO PHONE AT LC GATE No. 7 'C' BETWEEN CAI-KUMB



CLASS OF STATION : B  
STD OF SIG & INTERLOCKING: STD-II (R)

EAST CENTRAL RAILWAY SAMASTIPUR DIVISION	SR.DSTE/SPJ	DSTE/SPJ	JE/DRG	STATION WORKING RULE DIAGRAM MACL, STD-II (R) CLASS 'B'	CHANPATIA	SWRD NO. -
				TO SUIT SIP NO. ECR/SIP/SPJ/341/2008 ALT-V		DY_CSTE/CON/ I/SPJ/ 2008(R.D.)/12.