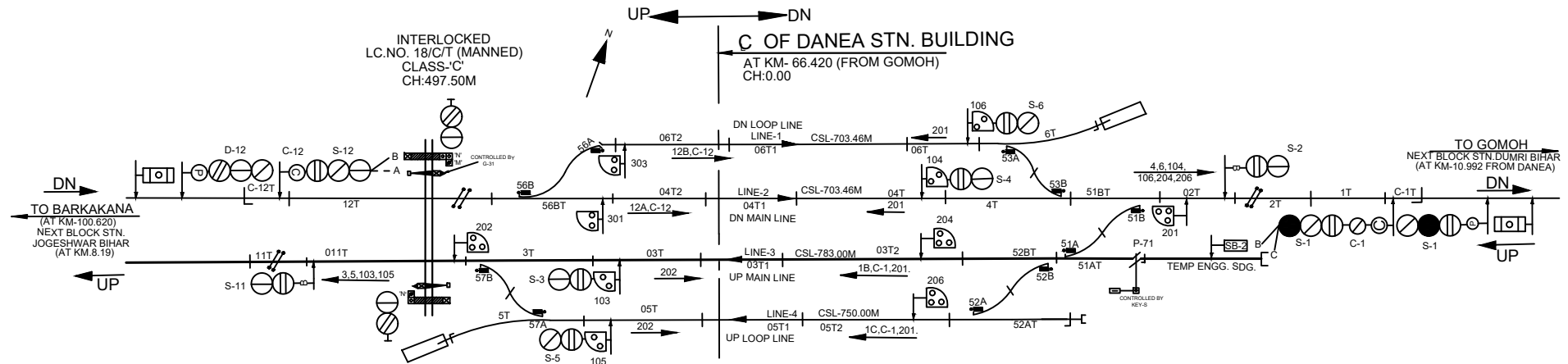


DANEA STATION

MACL, CLASS-B, STD-II(R)

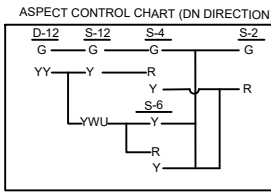


INTERLOCKED
LC.NO. 18/C/T (MANNED)
CLASS-'C'
CH:497.50M

C. OF DANEA STN. BUILDING
AT KM- 66.420 (FROM GOMOH)
CH:0.00

TO BARKAKANA
(AT KM-100.620)
NEXT BLOCK STN.
JOGESHWAR BIHAR
(AT KM.8.19)

TO GOMOH
NEXT BLOCK STN. DUMRI BIHAR
(AT KM-10.992 FROM DANEA)



PANEL DETAILS:-

- MAIN SIGNAL BUTTONS 1,2,3,4,5,6,11,12.
- CALLING - ON SIGNAL BUTTONS C-1,C-12.
- POINT BUTTONS 51,52,53,56,57.
- CRANK HANDLE CONTROL BUTTONS CH-1,CH-2,CH-3,CH-6,CH-7.
- SHUNT SIGNAL BUTTONS 103,104,105,106,201,202,204,206.
- GATE CONTROLLE BUTTONS G-31
- DEAD END 301,303.
- SIDING CONTROL P-71

