

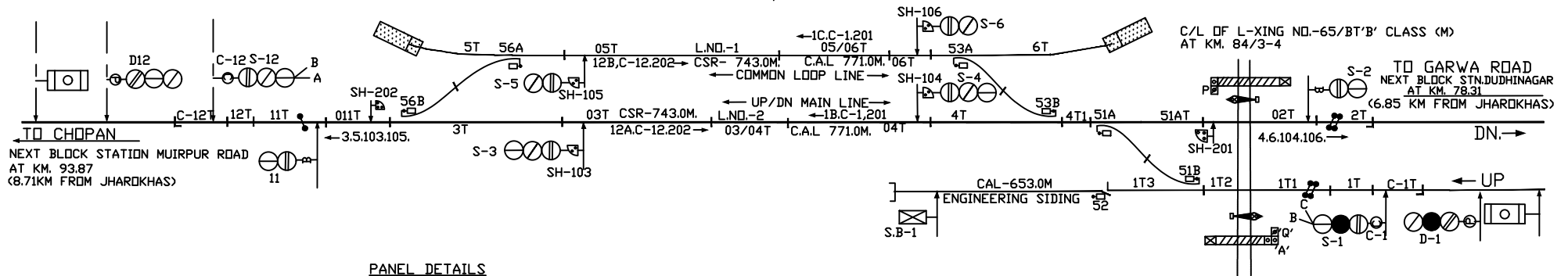
JHAROKHAS (JRQ)

MACLS STD-II(R) 'B' CLASS

← UP / DN →



C/L OF STN. BUILDING
(AT Km.85.106 FROM GHD)



MAIN SIGNAL BUTTONS-1.2.3.4.5.6.11.12
 CALLING DN SIGNAL BUTTONS-C-1.C-12.
 POINT CONTROL BUTTONS-51.52.53.56.
 CRANK HANDLE CONTROL BUTTONS-CH1.CH2.CH3.CH6.
 L-XING. GATE CONTROL BUTTON-G-31.
 SHUNT SIGNAL BUTTON-103.104.105.106.201.202.

NOTE I-

1. ABSOLUTE BLOCK SYSTEM OF WORKING WITH MUIRPUR ROAD AND DUDHINAGAR STATIONS.
2. UFSBI WITH BLOCK PANEL WITH HSSDAC DOUBLE LINE TYPE WORKING BETWEEN JRQ-DXN STATION LOCATED IN PANEL ROOM.
3. CONTROL TELEPHONE PROVIDED AT PANEL ROOM.
4. SINGLE LINE TOKENLESS BLOCK INSTRUMENT WITH HSSDAC WORKING BETWEEN JRQ-MPF STATIONS.
5. MAGNETO TELEPHONES ARE PROVIDED BETWEEN SM PANEL ROOM & GATE NO. 65/B/T, 66/B, & 67/C..