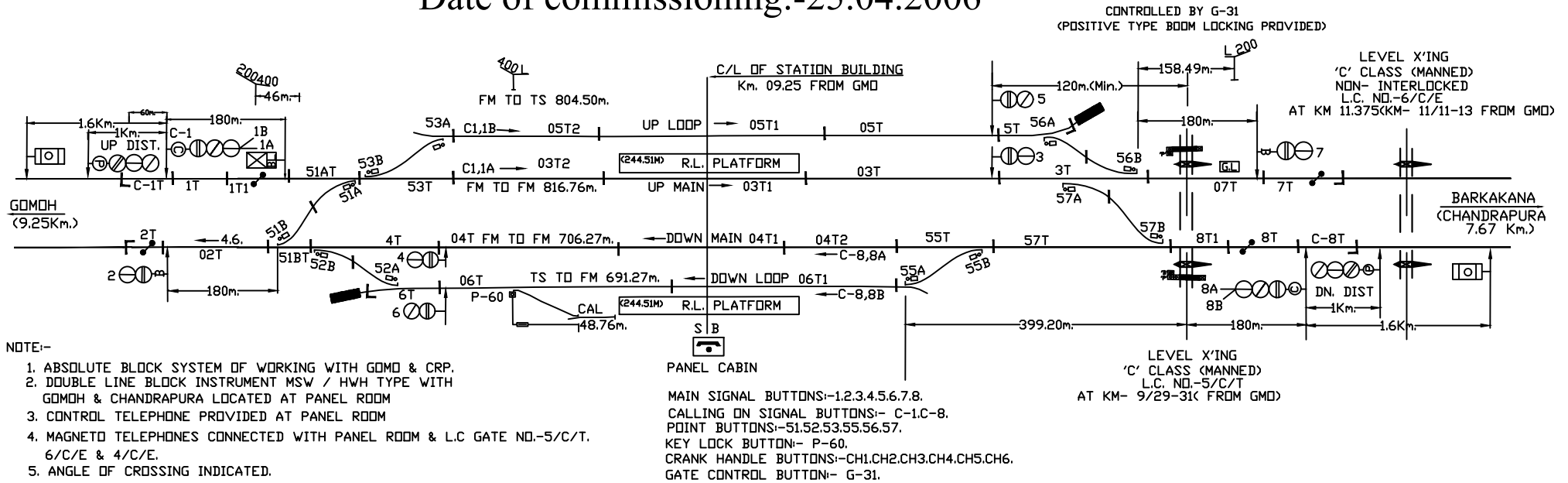


# (TELO)

Date of commissioning:-25.04.2006



- NOTE:-
1. ABSOLUTE BLOCK SYSTEM OF WORKING WITH GOMD & CRP.
  2. DOUBLE LINE BLOCK INSTRUMENT MSW / HWH TYPE WITH GOMDH & CHANDRAPURA LOCATED AT PANEL ROOM
  3. CONTROL TELEPHONE PROVIDED AT PANEL ROOM
  4. MAGNETO TELEPHONES CONNECTED WITH PANEL ROOM & L.C GATE NO.-5/C/T. 6/C/E & 4/C/E.
  5. ANGLE OF CROSSING INDICATED.
  6. NO RUNTHROUGH VIA UP & DN LOOP LINES.
  7. TRIPLE POLE LAMPS TO BE USED.
  8. BLOCK PROVING AXLE COUNTER WORKS BETWEEN TELO - GOMD & TELO - CHANDRAPURA SECTION IN BOTH UP & DN DIRECTION . IT SHOULD BE INTERLOCKED WITH DOUBLE LINE BLOCK INSTRUMENT.

MAIN SIGNAL BUTTONS:-1.2.3.4.5.6.7.8.  
 CALLING ON SIGNAL BUTTONS:- C-1.C-8.  
 POINT BUTTONS:-51.52.53.55.56.57.  
 KEY LOCK BUTTON:- P-60.  
 CRANK HANDLE BUTTONS:-CH1.CH2.CH3.CH4.CH5.CH6.  
 GATE CONTROL BUTTON:- G-31.

