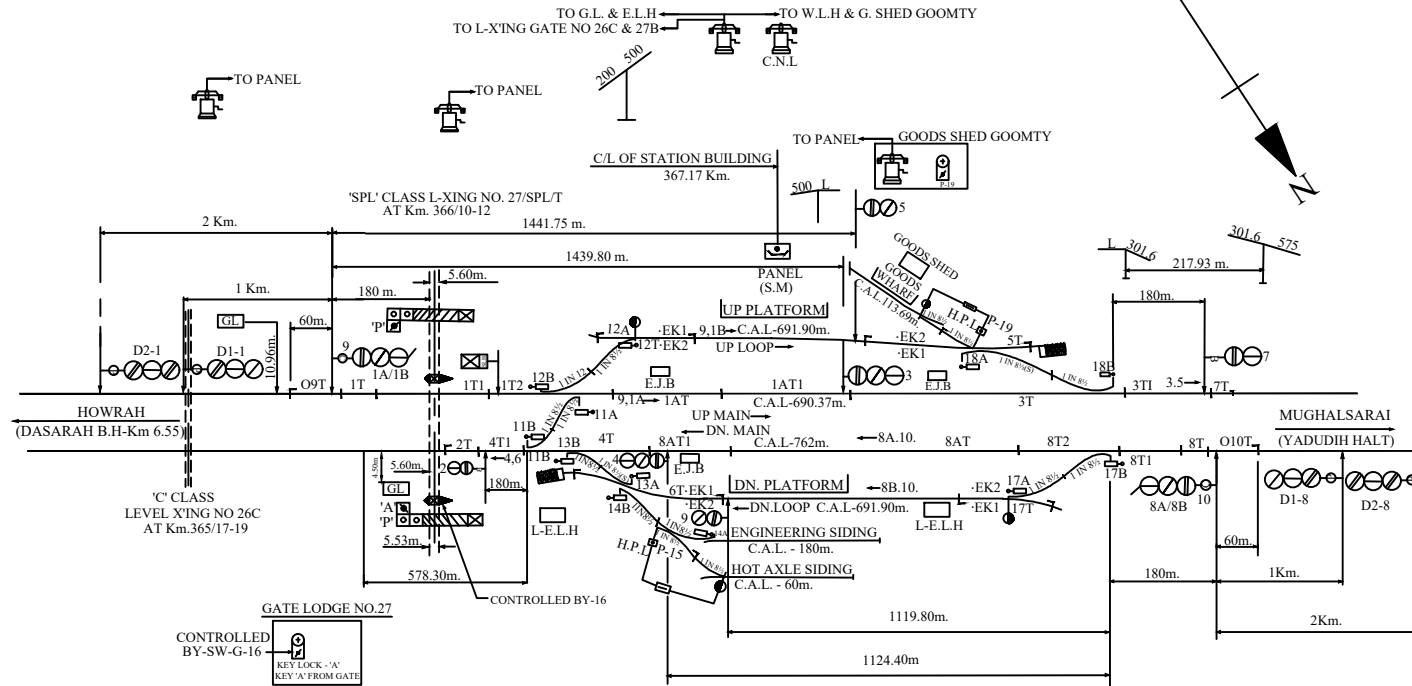
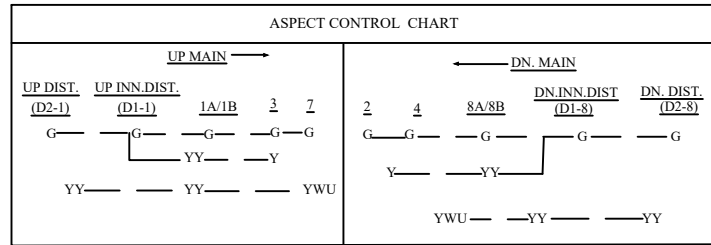


PARSABAD(PSB)

CENTRAL PANEL MACLS. 'B' CLASS STD.-III



- NOTE:-**
- (i) SECTION CLEARANCE BETWEEN PARSABAD & YADUDIH HALT IN DOWN DIRECTION AND PARSABAD & DASARAH BH IN UP DIRECTION THROUGH T.C. RETAINING LOCK & BLOCK INSTRUMENTS IN BOTH DIRECTION.
 - (ii) DOUBLE LINE INSTRUMENT WITH DASARAH BH & YADUDIH HALT (MSW MAKE) ARE LOCATED IN PANEL CABIN.
 - (iii) MAGNETO TELEPHONE CONNECTED AT SM PANEL WITH L-XING NO. 26/C & 27/ 'SPL'.

- PANEL IN S.M's OFFICE**
- MAIN SIGNAL SWITCHES :- 1. 2. 3. 4. 5. 6. 7. 8.
 - CALLING-ON SIGNAL SWITCHES:- 9.10.
 - POINT SWITCHES :- 11.12.13.14.15.17.18.19.
 - GATE SWITCH :- 16.
 - CRANK HANDLE SWITCHES :- CH1. CH2. CH3. CH4. CH5. (TO BE SHOW IN)
 - CH1 FOR PT. - 11.13.
 - CH2 FOR PT. - 12.
 - CH3 FOR PT. - 14.
 - CH4 FOR PT. - 17.
 - CH5 FOR PT. - 18.