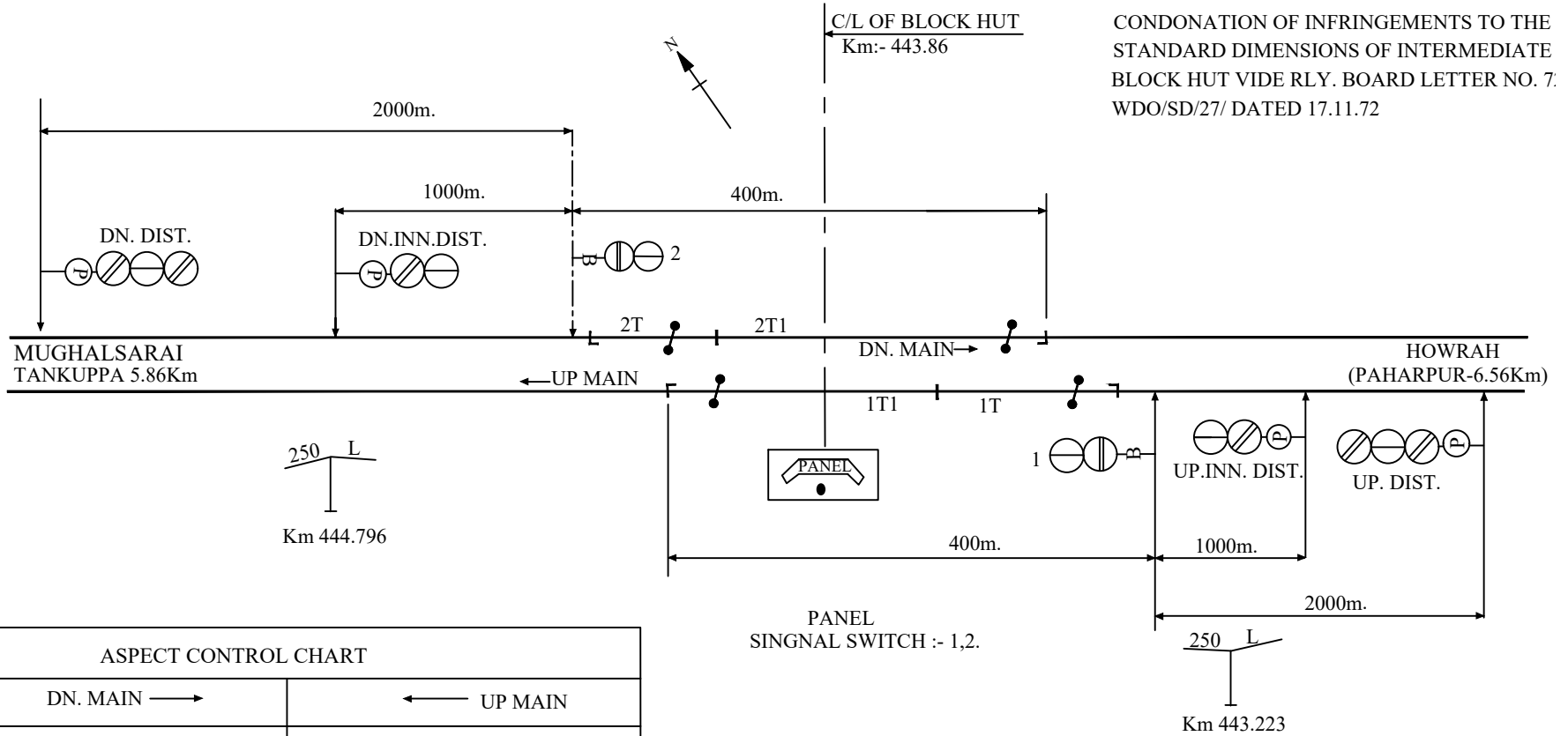


# BANSINALA B.H.(BNSL)

CENTRAL PANEL MACLS, STD-III 'C'-CLASS

Date of commissioning:- 18.03.2004



ASPECT CONTROL CHART					
DN. MAIN →			← UP MAIN		
DN. DIST. SIG.	DN. INN. DIST. SIG.	SIG. NO. 2	SIG. NO. 1	UP. INN. DIST. SIG.	UP. DIST. SIG.
G-----G	G-----G	G	G-----G	G-----G	G
YY-----Y	Y-----Y	R	R-----Y	Y-----YY	YY

NOTE:-

1. ABSOLUTE BLOCK SYSTEM OF WORKING WITH PAHARPUR & TANKUPPA.
2. DOUBLE LINE LOCK & BLOCK INSTRUMENT MSW TYPE WITH PAHARPUR & TANKUPPA.
3. CONTROL TELEPHONE PROVIDED AT PANEL CABIN.