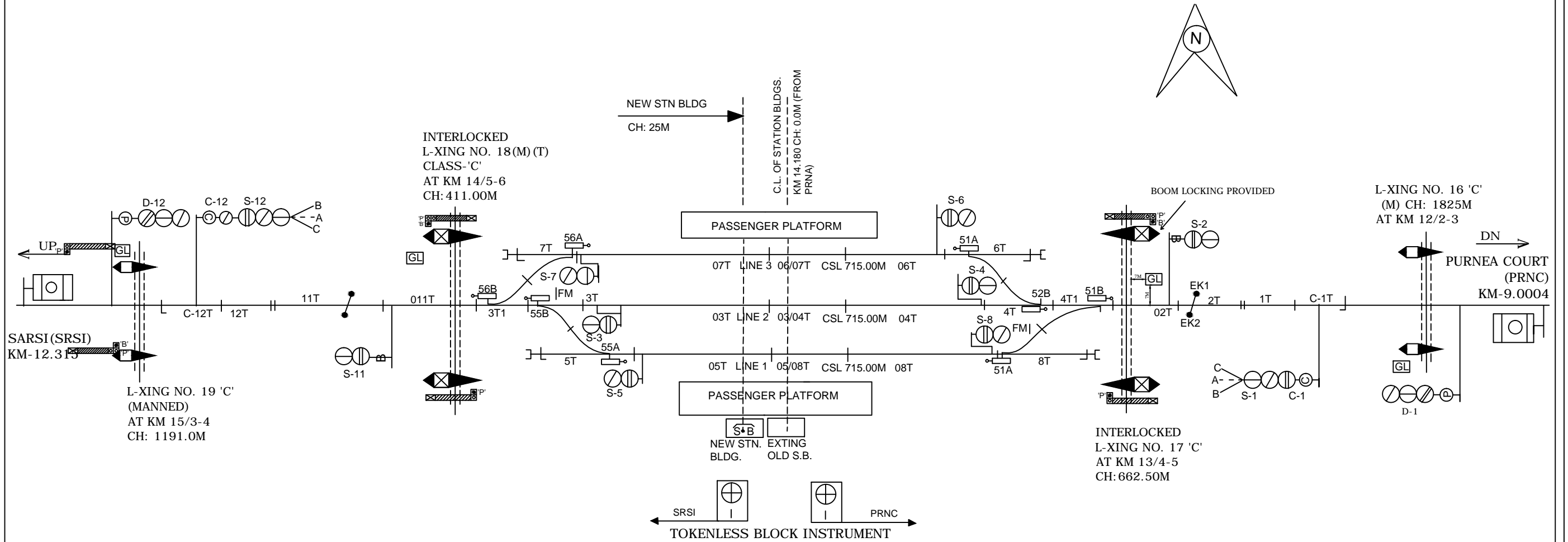


# KRITYANAND NAGAR STATION

## कृत्यानंद नगर स्टेशन



NOTE:-

MAGNETO TELEPHONE PROVIDED BETWEEN PANEL ROOM L.C. GATE NO. 14'C, 15'C, 16'C & 17'C BETWEEN KTNR-PRNC AND 18'C, 19'C, 21'C, 22'C, & 23'C BETWEEN SRSI-KTNR.

CLASS OF STATION : B  
STD OF SIG & INTERLOCKING: STD-II ®

EAST CENTRAL RAILWAY  
SAMASTIPUR DIVISION

STATION WORKING RULE DIAGRAM  
MACL, STD-II ® CLASS 'B'

KRITYANAND NAGAR  
कृत्यानंद नगर

SWRD NO.-

DY.CSTE/CON/SPJ  
2015/(R.D)/01

SR.DSTE/SPJ

DSTE/SPJ

JE/DRG

TO SUIT SIP NO. ECR/SIP/SPJ/415/2014 ALT-III