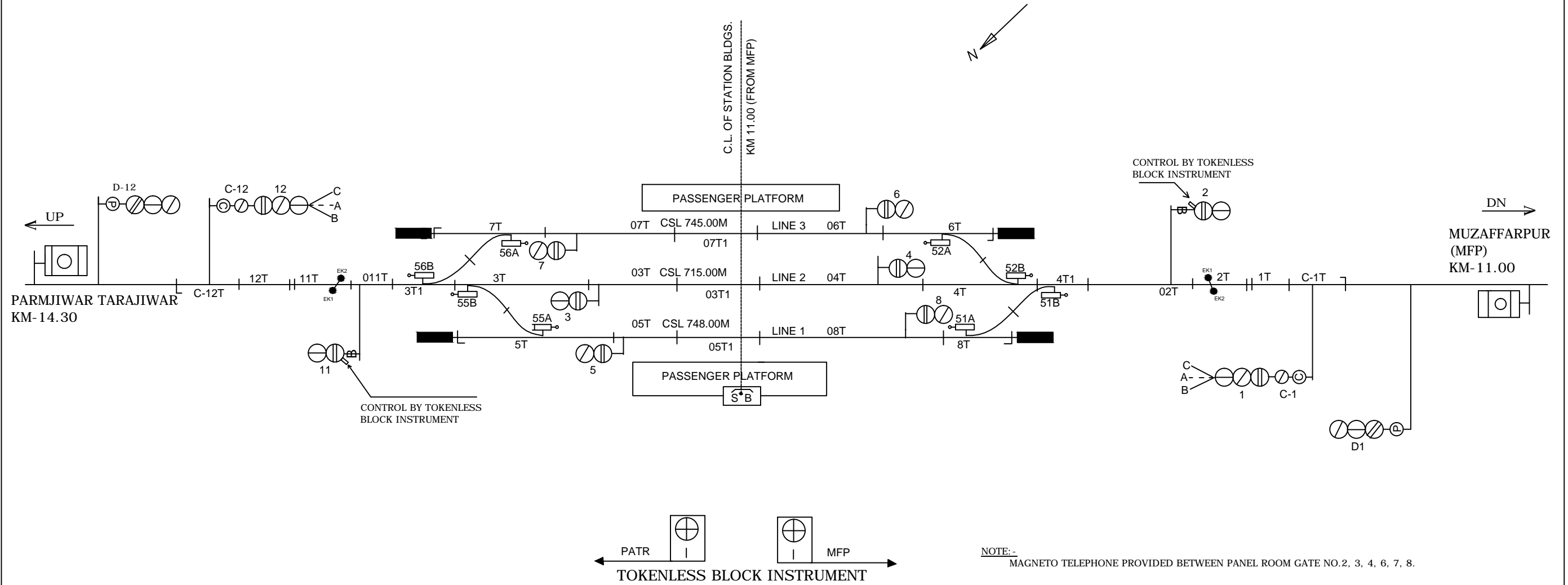


# JUBBA SAHANI STATION

## जुब्बा साहनी स्टेशन



CLASS OF STATION : B  
 STD OF SIG & INTERLOCKING: STD-II (R)

|   |             |          |         |  |              |                               |
|---|-------------|----------|---------|--|--------------|-------------------------------|
| EAST CENTRAL RAILWAY<br>SAMASTIPUR DIVISION | SR.DSTE/SPJ | DSTE/SPJ | SSE/SIG | STATION WORKING RULE DIAGRAM<br>MACL, STD-II (R) CLASS 'B' | JUBBA SAHANI | SWRD NO.-                     |
|   |             |          |         | TO SUIT SIP NO. ECR/SIP/SPJ/436/2010 ALT-IV                |              | DY.CSTE/C/I/SPJ<br>2011/RD/10 |