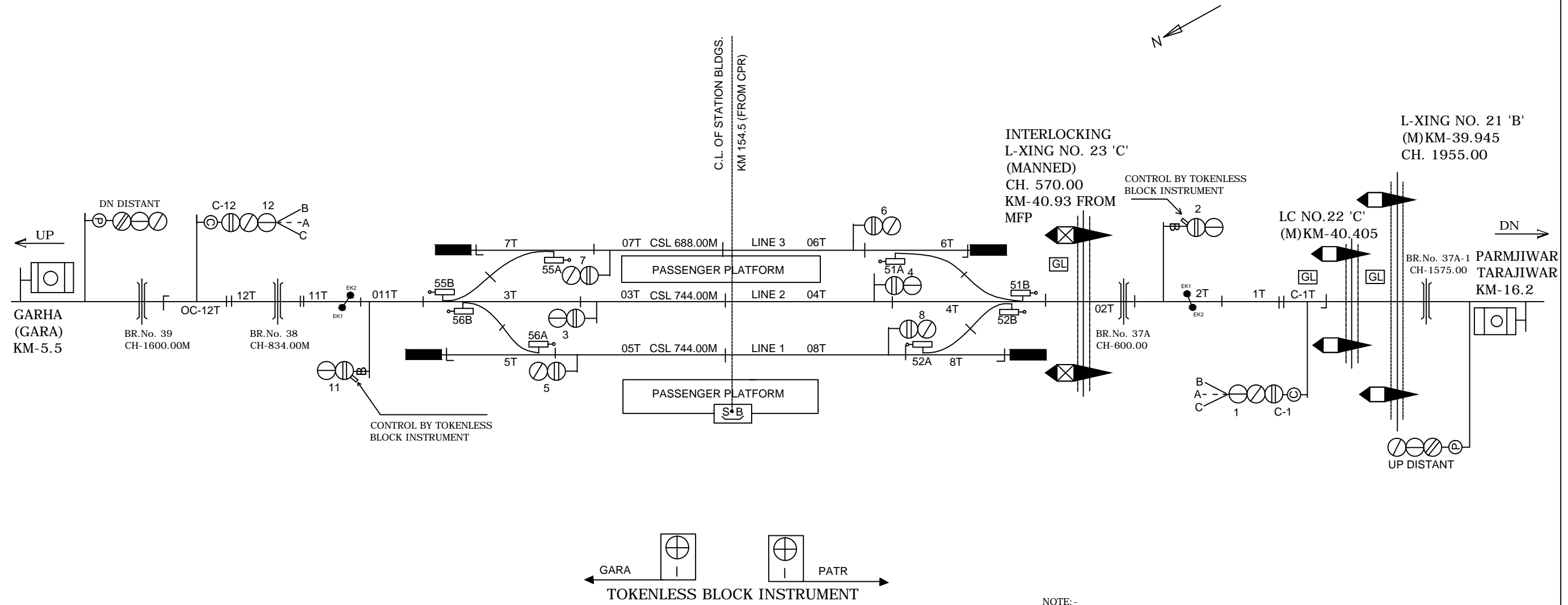


RUNNI-SAIDPUR STATION

रनीसैदपुर स्टेशन



CLASS OF STATION : B
 STD OF SIG & INTERLOCKING: STD-III

NOTE:-
 MAGNETO TELEPHONE PROVIDED BETWEEN PANEL ROOM GATE NO.16,17,17A,18,19,20,21
 22,23,24

EAST CENTRAL RAILWAY SAMASTIPUR DIVISION	SR.DSTE/SPJ	DSTE/SPJ	SSE/SIG	STATION WORKING RULE DIAGRAM MACL, STD-II® CLASS 'B'	RUNNI-SAIDPUR	SWRD NO.-
				TO SUIT SIP NO. ECR/SIP/SPJ/438/2007 ALT-III		DY.CSTE/C-I/SPJ 2010/RD/08