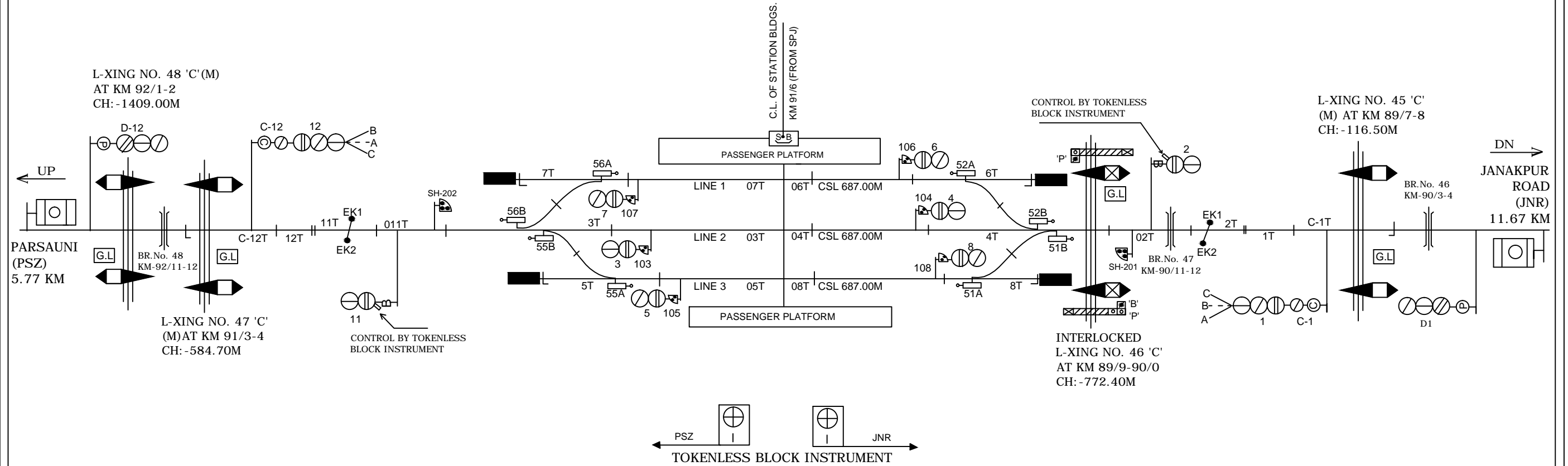
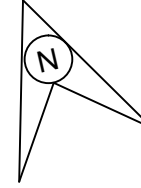


BAJPATTI STATION

बाजपटी स्टेशन



NOTE:-
MAGNETO TELEPHONE PROVIDED BETWEEN PANEL GATE NO. 42'C', 44'C'45'C' & 46'C'
BETWEEN JNR-BJT AND ,47'C' & 48'C' BETWEEN BJT-PSZ.

CLASS OF STATION : B
STD OF SIG & INTERLOCKING: STD-II ®

EAST CENTRAL RAILWAY
SAMASTIPUR DIVISION

STATION WORKING RULE DIAGRAM
MACL, STD-II®.CLASS 'B'

BAJPATTI

SWRD NO.-

DY.CSTE/C-I/SPJ
2009/RD/16

SR.DSTE/SPJ

DSTE/SPJ

SSE/SIG

TO SUIT SIP NO. ECR/SIP/SPJ/366/2008 ALT-VII