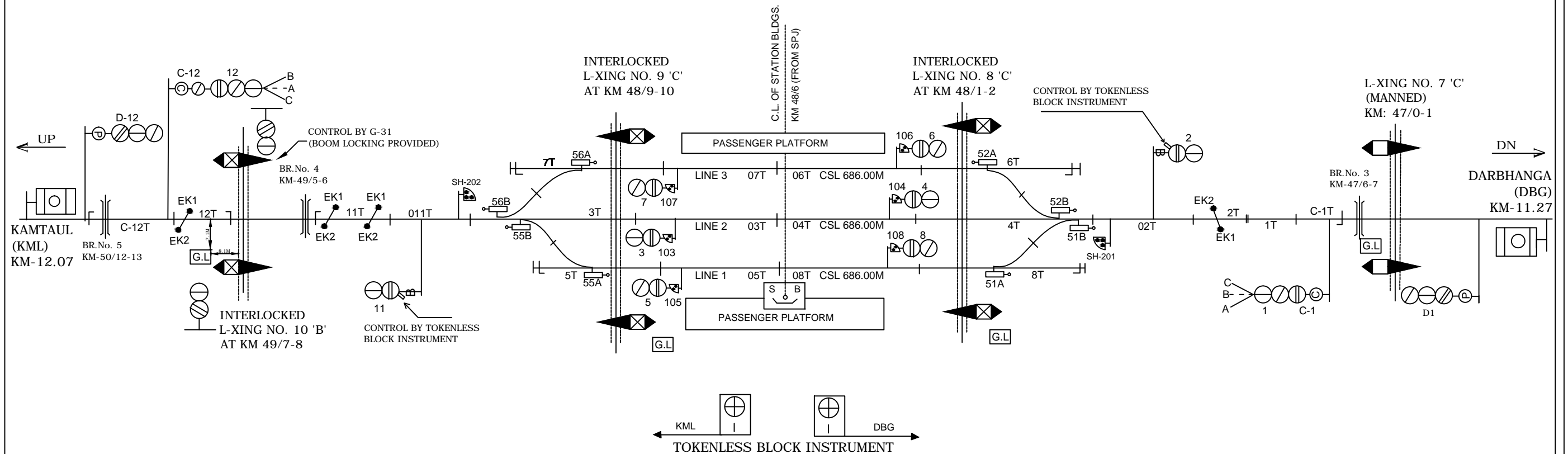
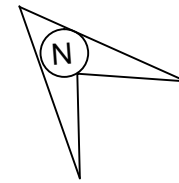


# MOHAMMADPUR STATION मुहम्मदपुर स्टेशन



MAGNETO TELEPHONE PROVIDED BETWEEN PANEL ROOM ,LC GATE NO:-4'C',5'C',6'C',7'C',8'C' BETWEEN DBG-MHP AND 9'C',10'B',12'C',13'C',14'C' & 15'C' BETWEEN MHP-KML.

CLASS OF STATION : B  
STD OF SIG & INTERLOCKING: STD-II ®

EAST CENTRAL RAILWAY SAMASTIPUR DIVISION	SR.DSTE/SPJ	DSTE/SPJ	SSE/SIG	STATION WORKING RULE DIAGRAM MACL, STD-II® CLASS 'B'	MOHAMMADPUR	SWRD NO.-
				TO SUIT SIP NO. ECR/SIP/SPJ/370/2008 ALT-VI		DY.CSTE/C-I/SPJ 2009/RD/06