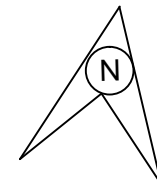
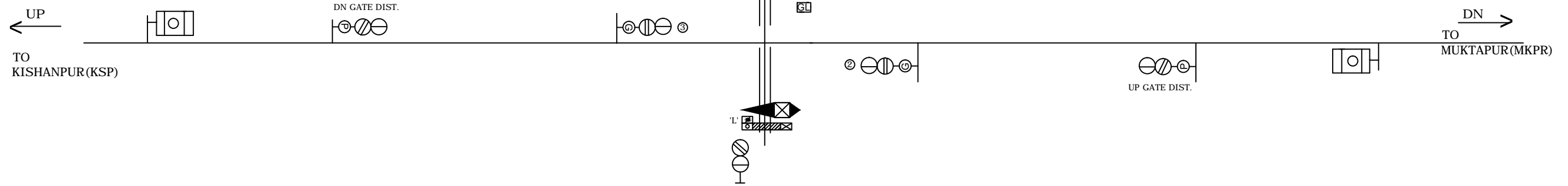


# L.C NO.4'B'



L-XING NO. 4'B'(M)  
'B' CLASS KM-7/12



NOTE: -  
MAGNETO TELEPHONE CONNECTION PROVIDED WITH L.C NO.4 'B' KISHANPUR STATION.

<p>????? ???? ???  <b>E.C. RAILWAY</b>          ?????????? ???  <b>SAMASTIPUR DIVISION</b></p>				<p><b>STATION WORKING RULE DIAGRAM</b>  <b>OF L-XING No.4'B'</b>  <b>BETWEEN</b>  <b>KISHANPUR AND MukTAPUR</b>  <b>AT KM 7/12</b></p>	<p>NOT TO SCALE          SWRD NO.          SR.DSTE/SPJ/2017          2001(RD)/04</p>
	SR.DSTE/SPJ	DSTE/SPJ	SSE/SIG		