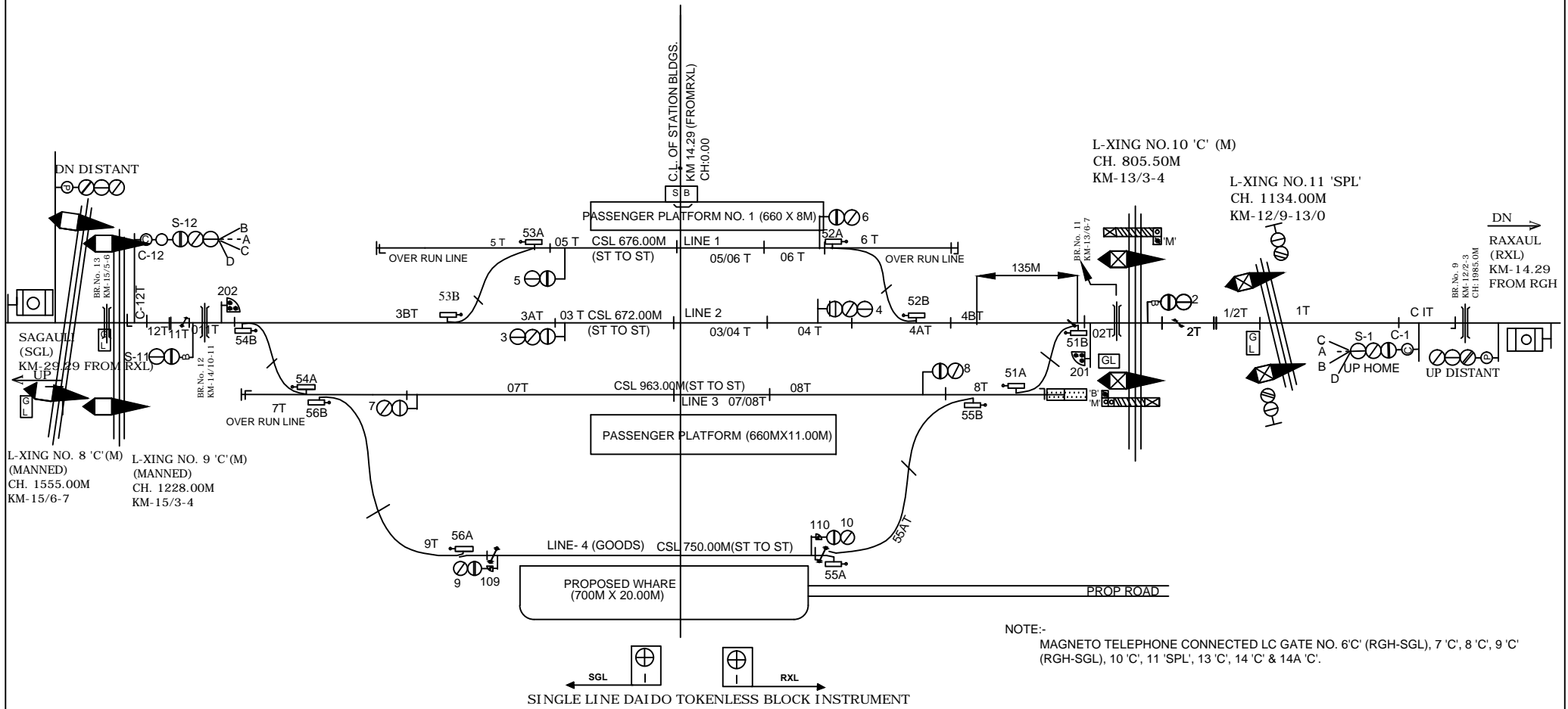
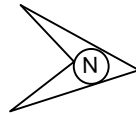


RAMGARHWA STATION

रामगढ़वा स्टेशन



NOTE:-
MAGNETO TELEPHONE CONNECTED LC GATE NO. 6'C' (RGH-SGL), 7'C', 8'C', 9'C' (RGH-SGL), 10'C', 11'SPL', 13'C', 14'C' & 14A'C'.

SINGLE LINE DAIDO TOKENLESS BLOCK INSTRUMENT

TO SUIT SIP NO. ECR/SIP/SPJ/350/

EAST CENTRAL RAILWAY SAMASTIPUR DIVISION	Sf.DSTE/SPJ	DSTE/W/SPJ	SSE/SIG/SPJ	STATION WORKING RULE DIAGRAM	RAMGARHWA	SWRD NO. -
				MACL, STD-II (R), CLASS 'B'		SR.DSTE/SPJ 2018(RD)/07
				TO SUIT SIP NO. ECR/SIP/SPJ/350/2018. ALT: I		