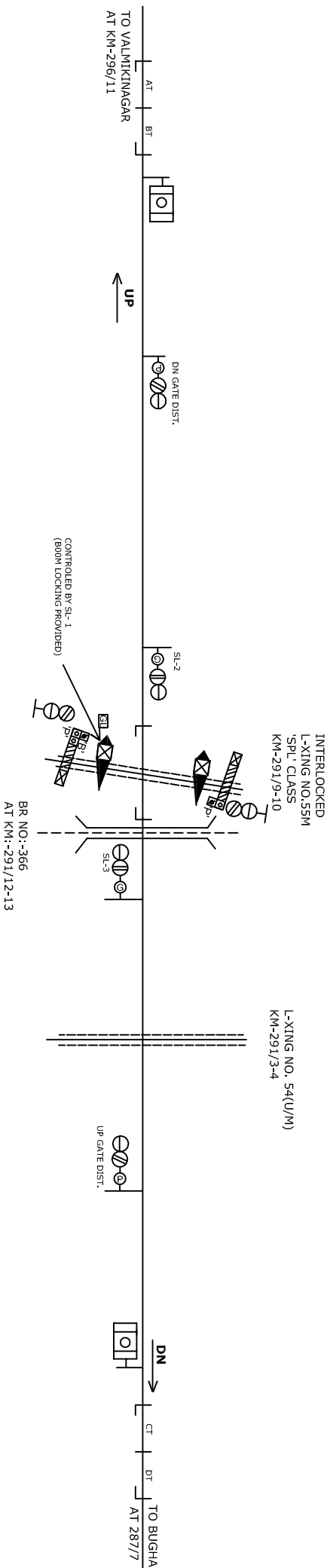


L.C NO.55'SPL'



NOTE:-
MAGNETO TELEPHONE CONNECTION PROVIDED SEMRA STATION.

पूर्व मध्य रेल
E.C. RAILWAY
समस्तीपुर मंडल
SAMASTIPUR DIVISION

SR.DSTE/SPJ	DSTE/SPJ	SSE/SIG	STATION WORKING RULE DIAGRAM OF L-XING No.55'SPL' BETWEEN BUGHA AND VALMIKINAGAR AT KM 291/9-10	NOT TO SCALE SWRD NO. SR./DSTE/SPJ 2011(RD)/07
			TO SUIT SIP No.EGR/SIP/SPJ/L-XING- 55 'SPL/2011A/LT-I	