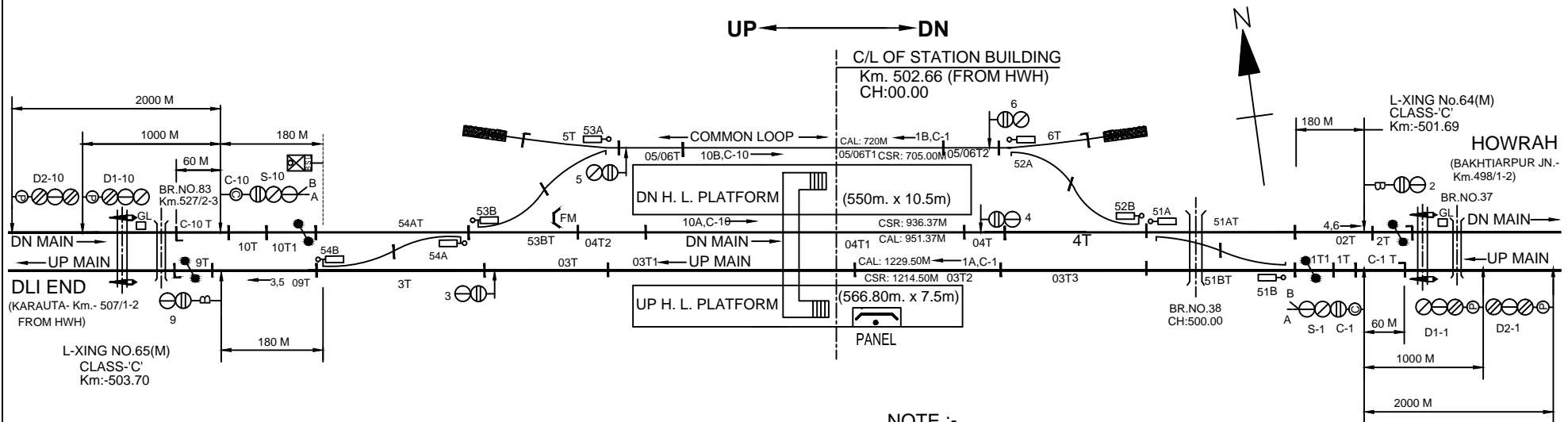
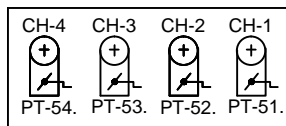


# TEKABIGHA (TKBG)



### CRANK HANDLES



### PANEL DETAIL

MAIN SIGNAL BUTTONS:- 1,2,3,4,5,6,9,10.  
 CALLING-ON SIGNAL BUTTONS:-C-1, C-10.  
 POINTS BUTTONS:- 51 TO 54.  
 CRANK HANDLE BUTTONS:-CH1,CH2,CH3,CH4.  
 SPARE: 7,8.

### NOTE :-

1. ABSOLUTE BLOCK SYSTEM OF WORKING WITH BAKHTIARPUR JN & KARAUTA.
2. DOUBLE LINE BLOCK INSTRUMENT MSW/HWH TYPE WORKING WITH BAKHTIARPUR JN AND KARAUTA LOCATED AT S.M'S OFFICE.
3. CONTROL TELEPHONE PROVIDED AT PANEL ROOM.
4. LED LAMPS ARE USED.
5. ALL ANGLE OF 'X' -ING ARE 1 IN 12 OTHERWISE INDICATED.
6. AXLE COUNTER PROVIDED FOR LAST VEHICLE VERIFICATION & INTERLOCKED WITH BLOCK INSTRUMENT.

CRANK HANDLE WELDED WITH KEY

<b>E.C. RAILWAY</b>				PANEL SIGNALLING PLAN	<b>TEKABIGHA (TKBG)</b>	SR. NO. ML-21
DNR. DIVN.	SR.DSTE/ECR/DNR	DSTE/ECR/DNR	SSE/DRG/DNR	MACL, STD-III(R), CLASS-'B'		ECR/SIP/DNR/455/2008 ALT-1