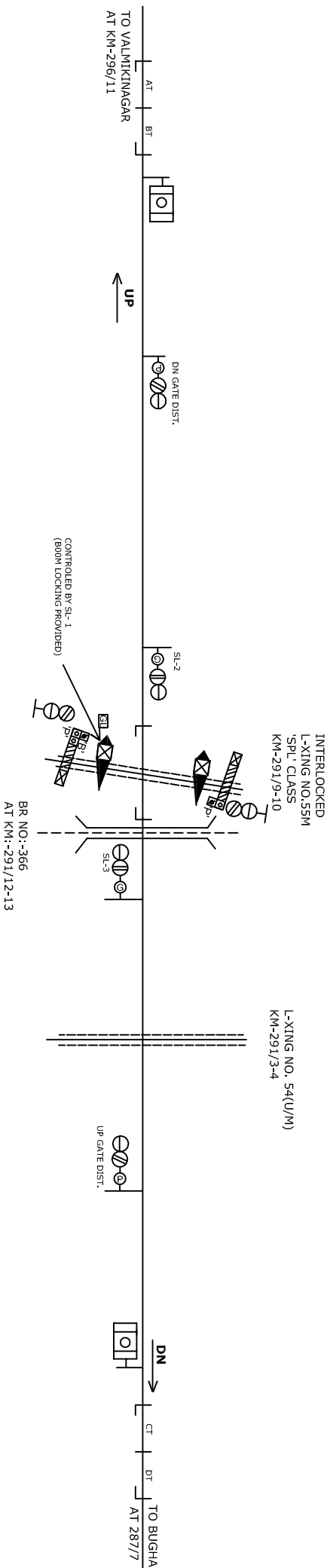


L.C NO.55'SPL'



NOTE:-
MAGNETO TELEPHONE CONNECTION PROVIDED SEMRA STATION.

पूर्व मध्य रेल
E.C. RAILWAY
समस्तीपुर मंडल
SAMASTIPUR DIVISION

SR.DSTE/SPJ	DSTE/SPJ	SSE/SIG	TO SUIT SIP No.EGR/SIP/SPJ/L-XING- 55 'SPL/2011A/LT-I

STATION WORKING RULE DIAGRAM
OF L-XING No.55'SPL'
BETWEEN
BUGHA AND VALMIKINAGAR
AT KM 291/9-10

NOT TO SCALE
SWRD NO.
SR./DSTE/SPJ
2011(RD)/07