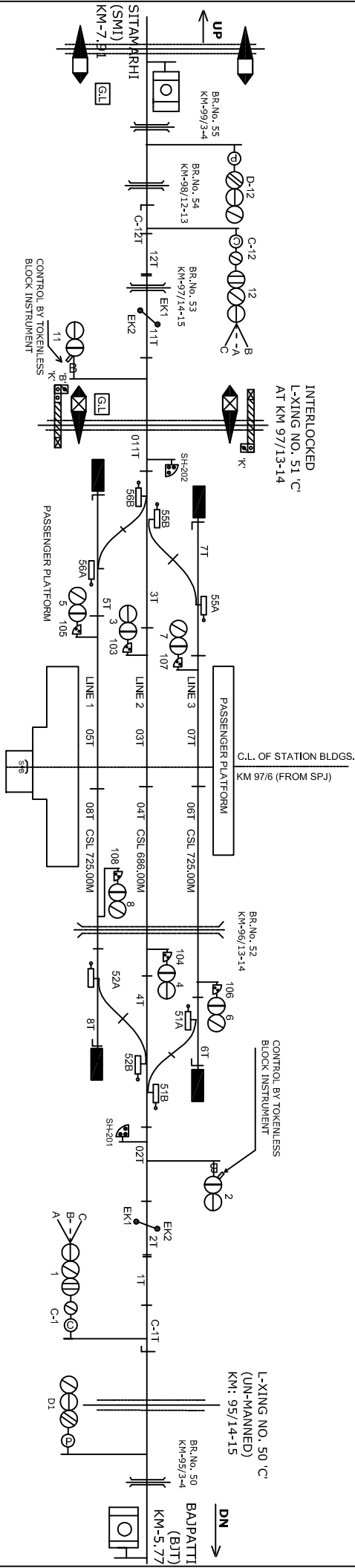


PARSAUNI STATION

परसौनी स्टेशन

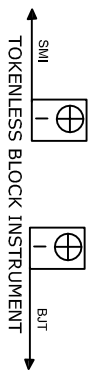


INTERLOCKED
L-XING NO. 51 'C'
AT KM 97/13-14

C.L. OF STATION BLDGS.
KM 97/6 (FROM SPJ)

CONTROL BY TOKENLESS
BLOCK INSTRUMENT

L-XING NO. 50 'C'
(UN-MANNED)
KM: 95/14-15



NOTE:-
MAGNETO TELEPHONE PROVIDED BETWEEN PANEL GATE NO. 51C,52,53.

CLASS OF STATION : B
STD OF SIG & INTERLOCKING: STD-II

EAST CENTRAL RAILWAY SAMASTIPUR DIVISION		STATION WORKING RULE DIAGRAM MA.CL, STD-II CLASS 'B'	PARSAUNI	SWRD NO.- DY,CSTE/C-1/SPJ 2009/RD/08