

CL. OF STR. BLD. AT CDMR
KM 667.45 FRO RWY

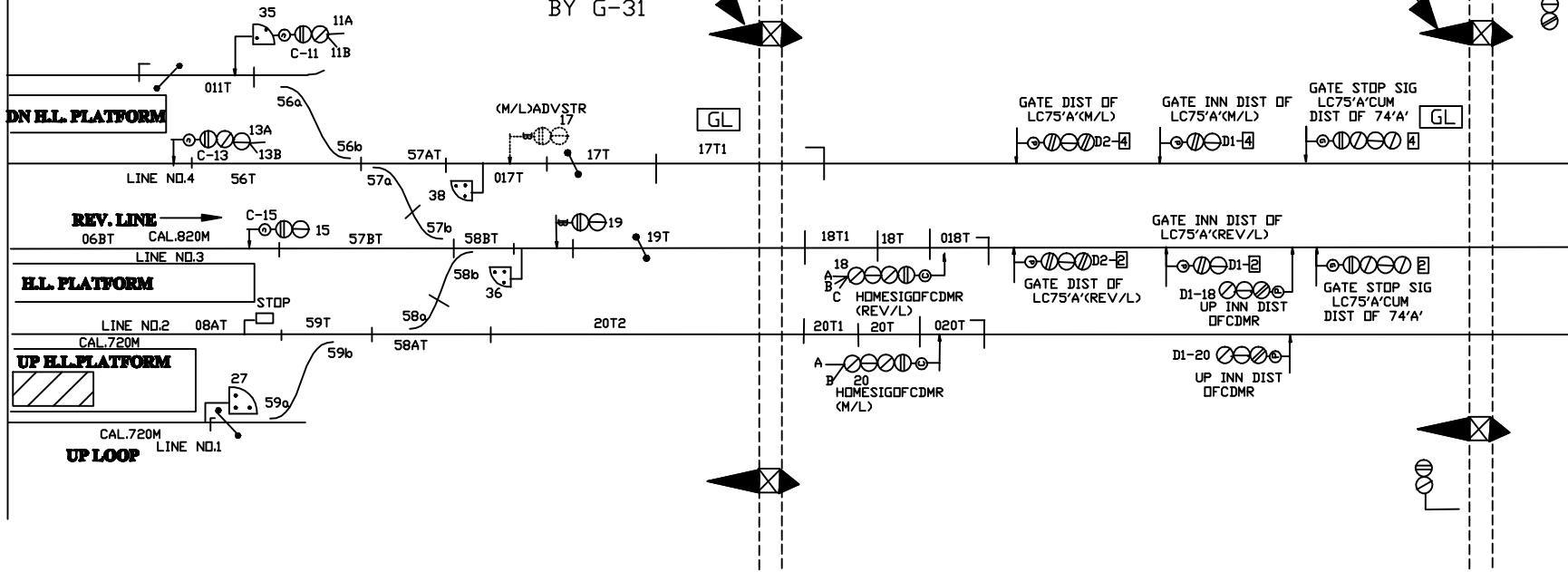
INTERLOCKED)

LEVEL X-ING
NO. 76'B' AT KM 656/9-11

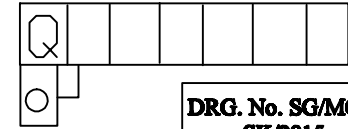
LEVEL X-ING
NO. 75'A' AT KM 653/19-21
(INTERLOCKED)

CONTROLLED
BY G-31

CONTROLLED BY SLIDE-1



SL-1 1 2 3 4 5



**DRG. No. SG/MGS/
SK/2015
SH. No. 1/2**