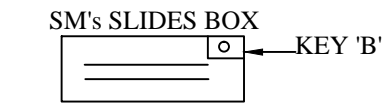
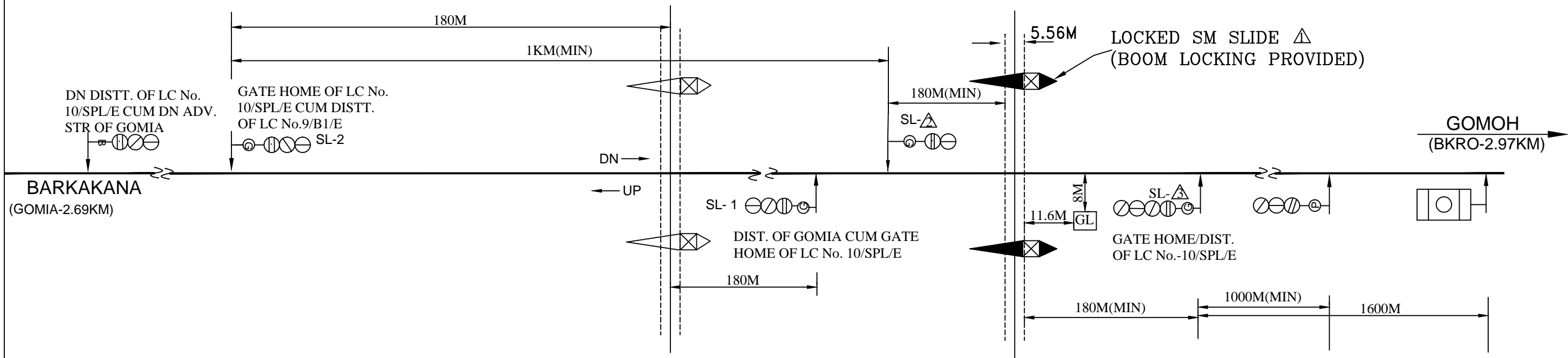
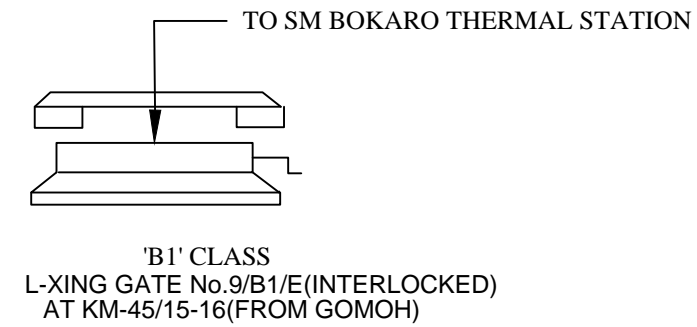


'B1' CLASS L-XING GATE No.9/B1/E(INTERLOCKED) BETWEEN BOKARO AND GOMIA AT KM-45/15-16(FROM GOMOH)



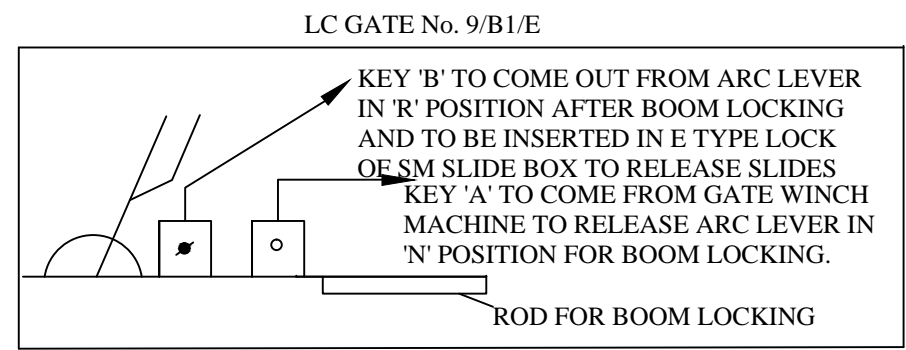
SPL CLASS L-XING GATE No. 10/SPL/E
(AT KM 47/2-3 FROM GOMOH)



△ SLIDES
SL- △ (N) RELEASES GATE KEY 'B'
SPARE- △

LOCKING TABLE				
No.S	B/LOCKS	LOCKS	B/WAY	RELEASES
1	-	-	-	2.3.
2	1	3	-	-
3	1	2	-	-
4	SPARE			

S.No.	FUNCTION
1	GATE LOCK
2	DN GATE STOP SIGNAL
3	UP GATE STOP SIGNAL
4	SPARE



NOTE:-SIGNAL INDICATION PANEL IS PROVIDED IN THE GATE LODGE